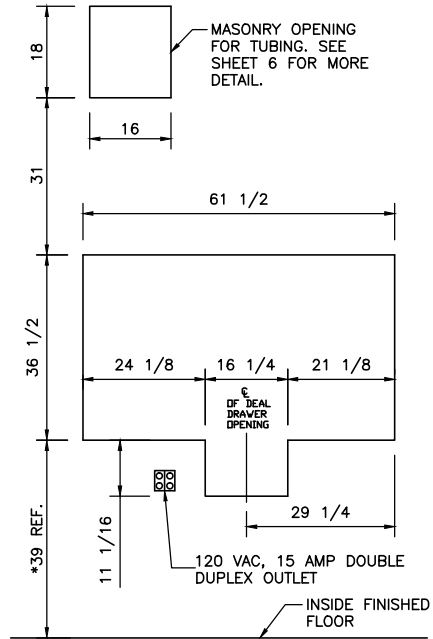


DRIVE-UP PLAN VIEW

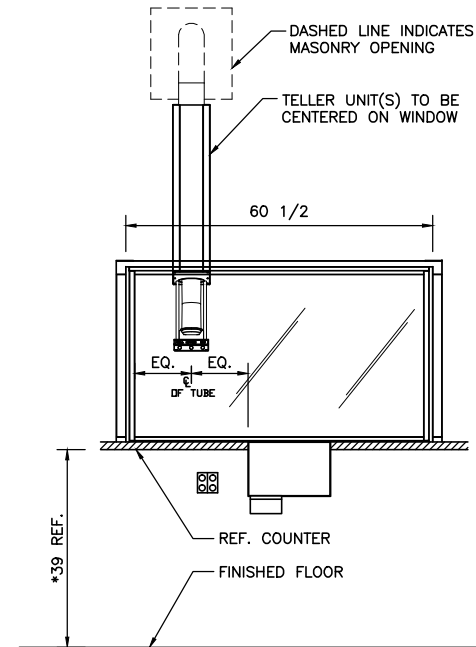
APPROVED BY:	PREPARED FOR:	DRAWING NAME: 3100RT 1 LANE & 5FT WINDOW w/DRAWER
	PROJECT NAME:	REVISION #: 3100RT-1R-5W-DD-05-11-13

* REFERENCED HEIGHT MAY VARY

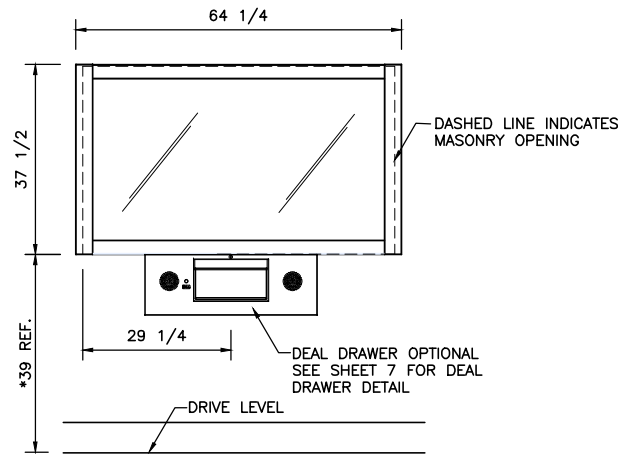


INSIDE ELEVATION MASONRY OPENING

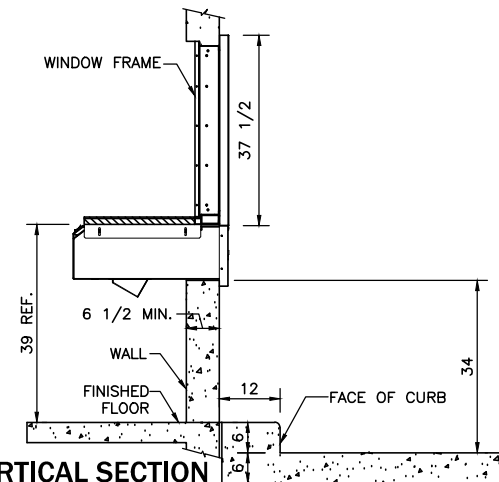
- NOTE:**
- 5'-0" WINDOW SHOWN
 - DRAWER CUTOUT CAN BE POSITIONED ANYWHERE UNDER WINDOW.



INSIDE ELEVATION

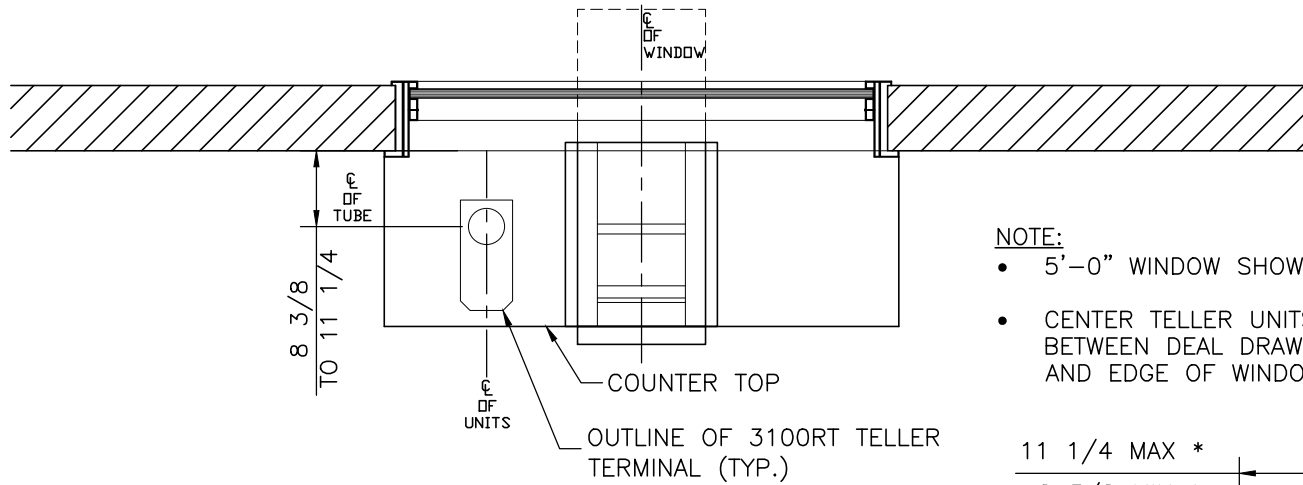


FRONT ELEVATION

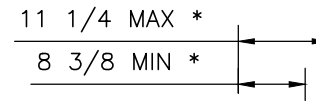


VERTICAL SECTION

APPROVED BY:	PREPARED FOR:	DRAWING NAME: 3100RT 1 LANE & 5FT WINDOW w/DRAWER
	PROJECT NAME:	REVISION #: 3100RT-1R-5W-DD-05-11-13

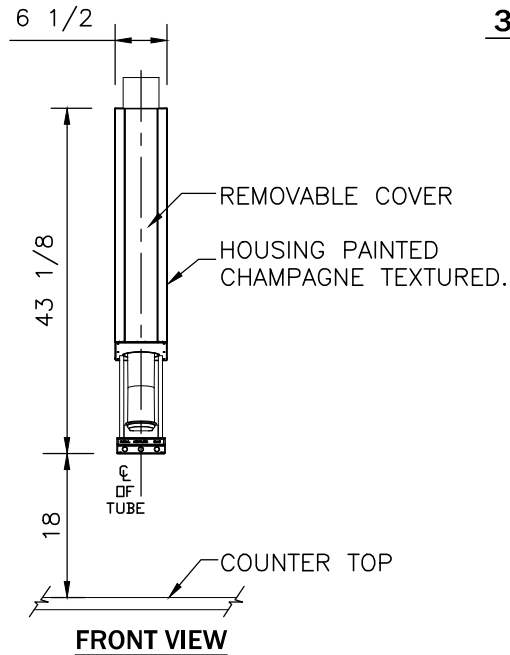


- NOTE:**
- 5'-0" WINDOW SHOWN
 - CENTER TELLER UNITS BETWEEN DEAL DRAWER AND EDGE OF WINDOW

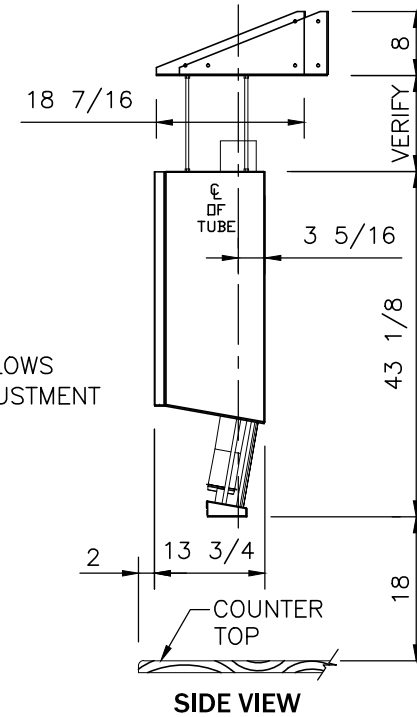


INSIDE PLAN VIEW AT DRIVE-UP COUNTER

3100RT TELLER UNIT



* WALL MOUNT BRACKET ALLOWS 2 7/8" ADJUSTMENT FROM WALL

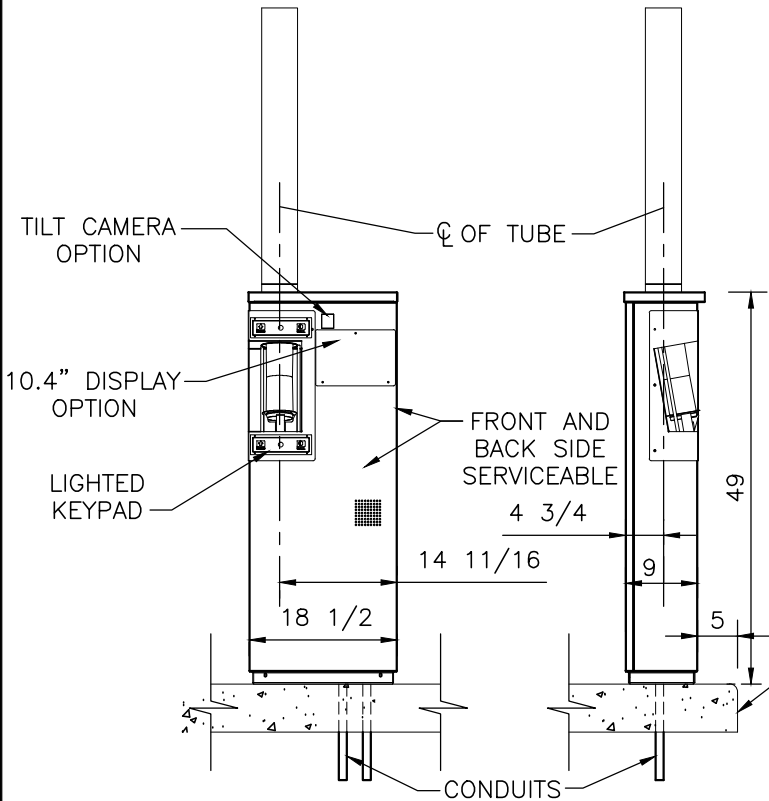


APPROVED BY:	PREPARED FOR:	DRAWING NAME: 3100RT 1 LANE & 5FT WINDOW w/DRAWER
	PROJECT NAME:	REVISION #: 3100RT-1R-5W-DD-05-11-13

4 1/2" SINGLE TUBE

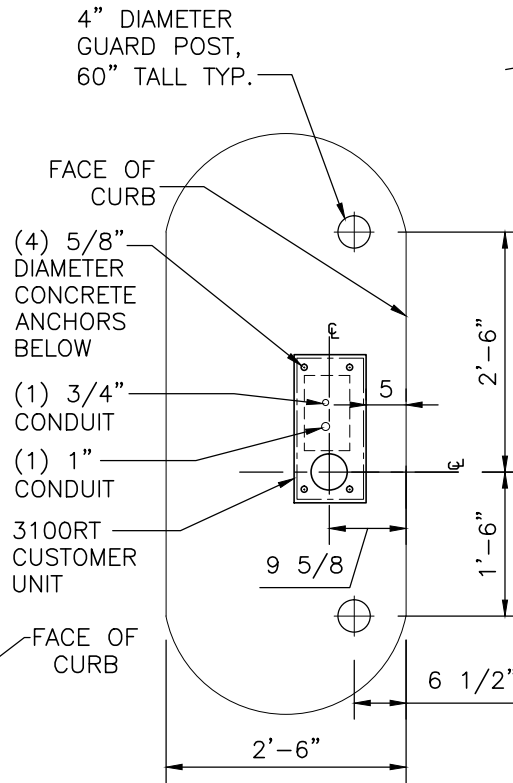
4 1/2" SINGLE TUBE

* DISTANCE FROM
TUBE CENTERLINE TO
CONDUIT CENTERLINE

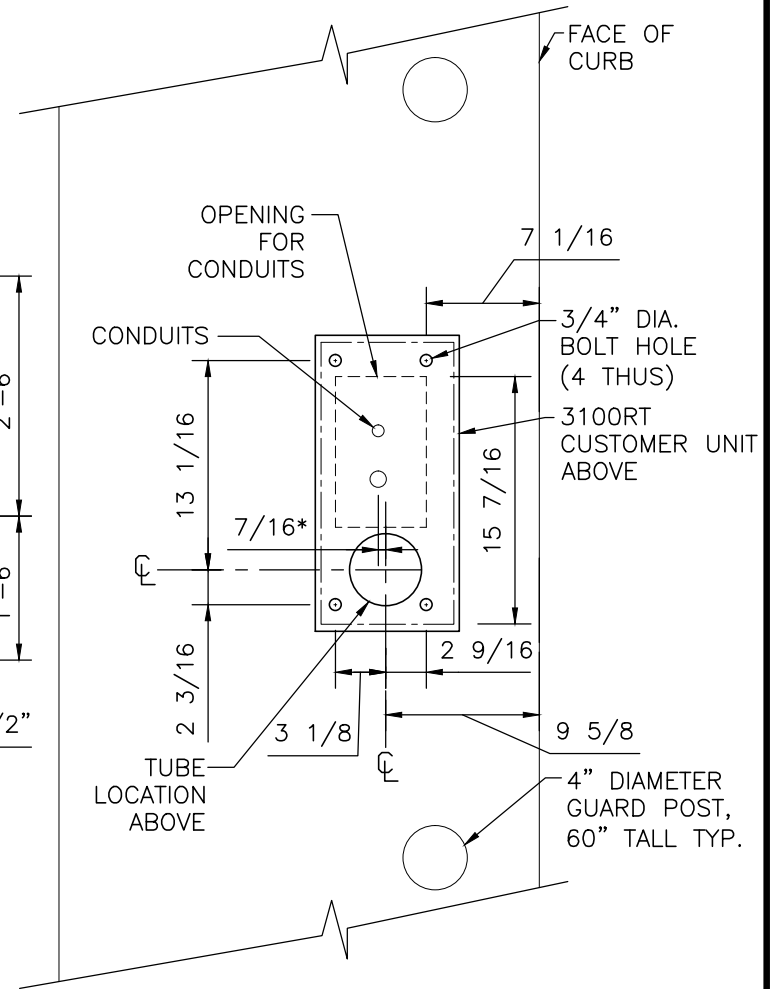


FRONT VIEW

LEFT SIDE ELEVATION



TYPICAL ISLAND PLAN

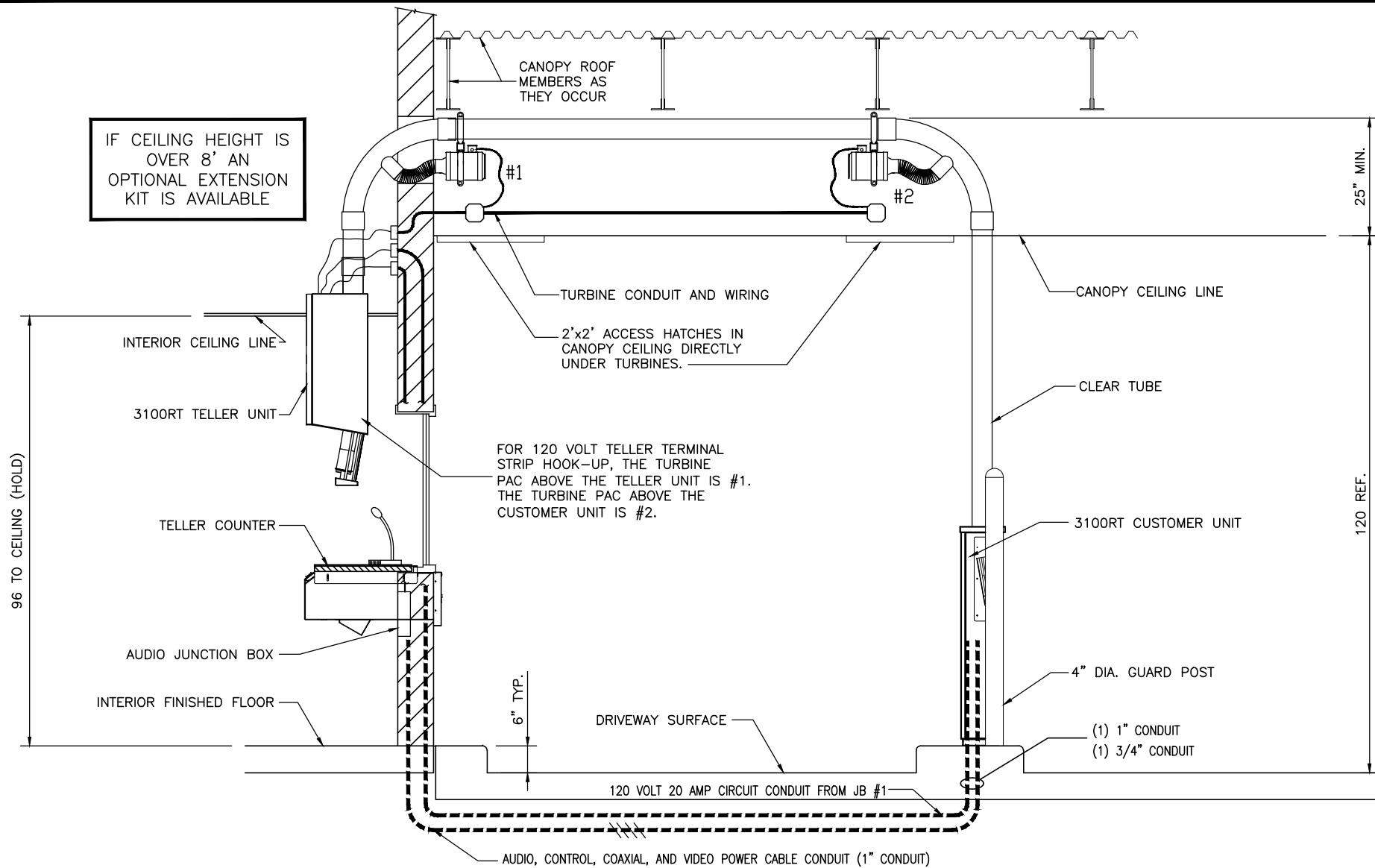


TOP VIEW OF BASEPLATE

SCALE: 1" = 1'-0"

3100RT CUSTOMER UNIT AND LAYOUT

APPROVED BY:	PREPARED FOR:	DRAWING NAME: 3100RT 1 LANE & 5FT WINDOW w/DRAWER
	PROJECT NAME:	REVISION #: 3100RT-1R-5W-DD-05-11-13



DRIVE-UP SYSTEM VERTICAL SECTION

	PREPARED FOR:	DRAWING NAME: 3100RT 1 LANE & 5FT WINDOW w/DRAWER
APPROVED BY:	PROJECT NAME:	REVISION #: 3100RT-1R-5W-DD-05-11-13

J-BOX (JB #4) FOR SWITCHED FEEDS (20A) TO TURBINE PACS IN CANOPY, SWITCHING CONTROLLED AUTOMATICALLY BY TELLER UNITS. FOUR FOOT (4') OF FLEX CONDUIT TO TELLER UNIT REQ'D. (BY OTHERS)

J-BOX (JB #3) FOR ONE 120 VOLT 20 AMP FEED FOR EACH TELLER UNIT. FOUR FEET (4') FLEX CONDUIT TO TELLER UNIT REQ'D. (BY OTHERS)

TWO 3/4" CONDUIT EACH WITH ONE 120 VOLT 20 AMP CIRCUIT FROM PANEL (BY OTHERS)

1" CONTROL CABLE CONDUIT. (BY OTHERS)

J-BOX (JB #2) FOR TELLER CONTROL CABLE. FOUR FEET (4') OF FLEX CONDUIT TO TELLER UNIT REQ'D. (BY OTHERS) CONTROL CABLE MUST REACH TO TERMINAL STRIP IN TELLER UNIT

3/4" CONDUIT TO VIDEO CONTROL CENTER (BY OTHERS)

TO TURBINE PACS

16

6

18

45

OPENING TO BE FILLED BY G.C. AFTER TUBE INSTALLATION

QUAD OUTLET TO POWER AUDIO CONSOLE, 120 VAC, 20 AMP CIRCUIT (BY OTHERS)

16 1/4

21 1/8

36 1/2

96 TO CEILING (HOLD)
VARIES (SEE NOTE)

39

INTERIOR FLOOR LINE

11 1/16

10x10x4 AUDIO J-BOX. WITH BUSHED COVER, 1 1/2" BUSHING IN LOWER RIGHT-HAND CORNER. 3' SLACK AUDIO CABLE. (BY OTHERS)

ONE LOW VOLTAGE 1" CONDUIT PER LANE FOR AUDIO, CONTROL, COAXIAL, AND VIDEO POWER CABLES.(BY OTHERS)

ONE 120 VOLT 20 AMP 3/4" CONDUIT PER LANE TO CUSTOMER UNITS. (BY OTHERS)

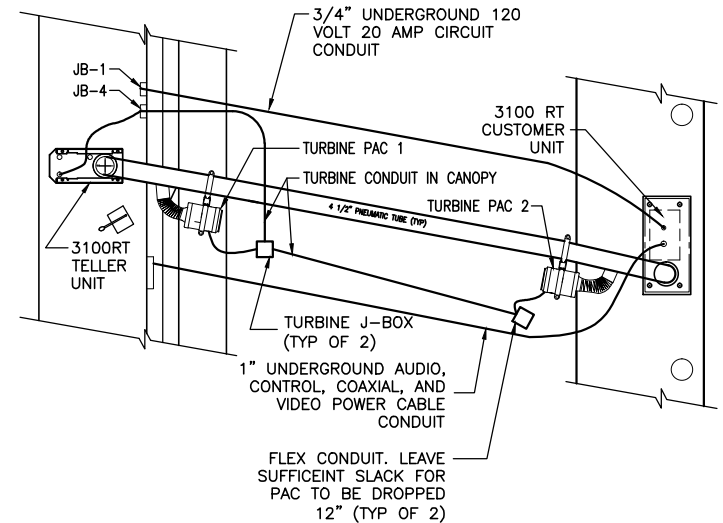
WALL OPENING AND ELECTRICAL DETAIL

LEGEND

— REPRESENTS CONDUIT WITH A SINGLE JACKETED MULTICONDUCTOR OR COAXIAL LOW-VOLTAGE CABLE.

NOTE:
EACH LANE SHALL BE POWERED BY A SINGLE 120 VOLT 20 AMP CIRCUIT. THIS CIRCUIT POWERS THE TELLER UNIT, CUSTOMER UNIT, AND THE PAIR OF TURBINE PACS.

NOTE:
THE THREE CONDUIT PATHWAYS SHOWN ON THIS DRAWING ARE TYPICAL OF THE CONDUIT REQUIREMENTS FOR EACH LANE.



TYPICAL ELECTRICAL LAYOUT

N.T.S.

PREPARED FOR:

DRAWING NAME:

3100RT 1 LANE & 5FT WINDOW w/DRAWER

APPROVED BY:

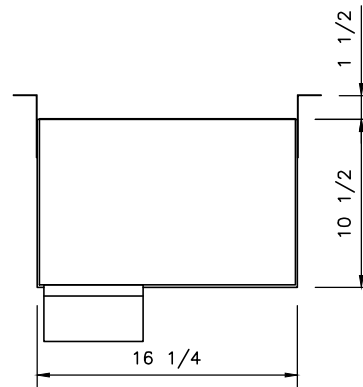
PROJECT NAME:

REVISION #:

3100RT-1R-5W-DD-05-11-13

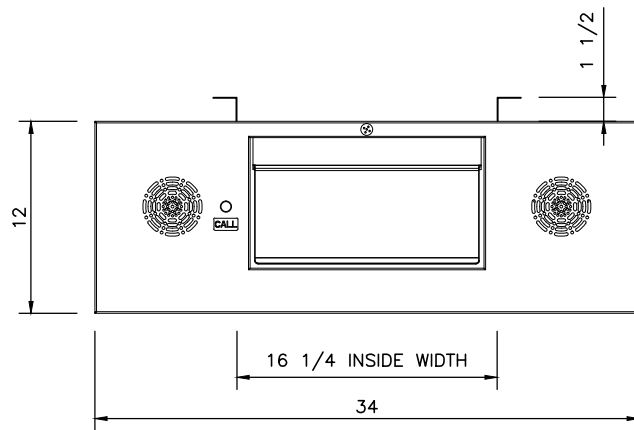
ELECTRICAL SPECIFICATIONS:
 120 VOLT 15 AMP DEDICATED CIRCUIT.

AUDIO:
 MICROPHONE: 2K IMPEDANCE CONDENSER TYPE
 SPEAKER: 8 OHMS IMPEDANCE, 4" SQUARE
 CALL BUTTON: NORMALLY OPEN CONTACT

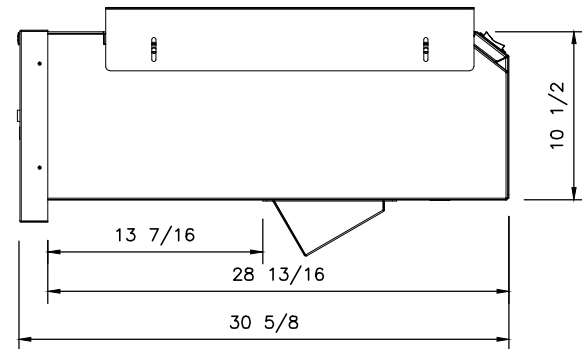


INSIDE ELEVATION

* MANUAL HANDLE SHOWN
 FOR ILLUSTRATION
 PURPOSES ONLY



FRONT ELEVATION



VERTICAL SECTION

TD-750 TRANSACTION DRAWER (DEAL DRAWER)

	PREPARED FOR:	DRAWING NAME: 3100RT 1 LANE & 5FT WINDOW w/DRAWER
APPROVED BY:	PROJECT NAME:	REVISION #: 3100RT-1R-5W-DD-05-11-13