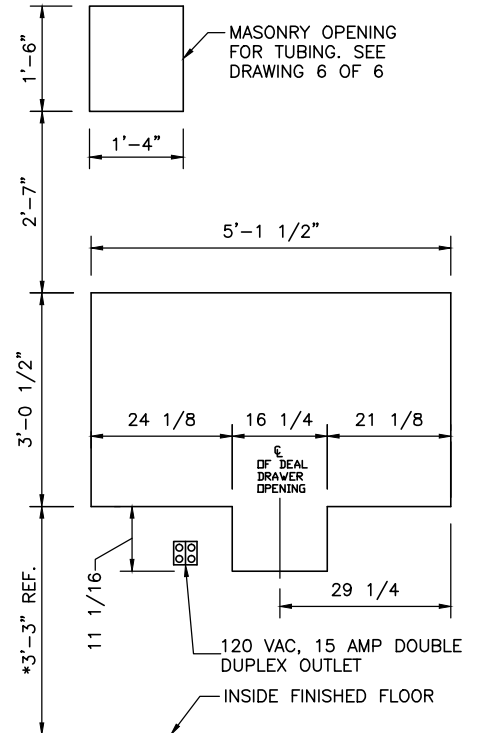


**DRIVE-UP PLAN VIEW**

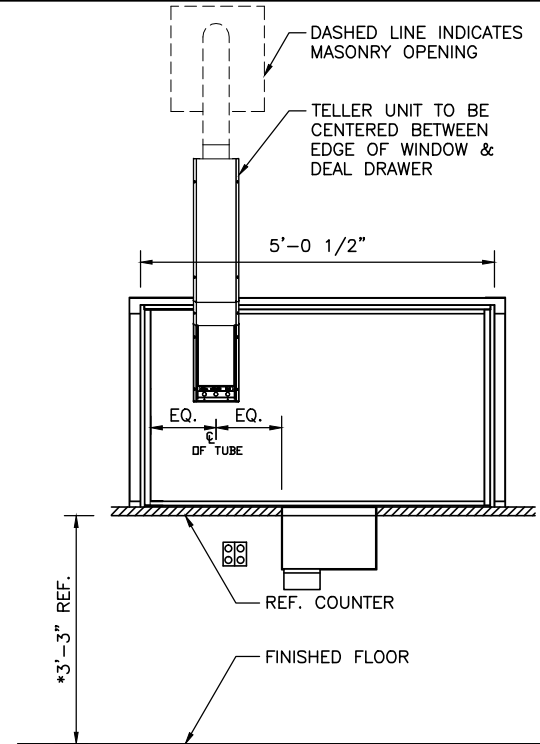
APPROVED BY:	PREPARED FOR:	DRAWING NAME: 5000RT 1 LANE & 5FT WINDOW w/DRAWER
	PROJECT NAME:	REVISION #: 5000-1R-5W-DD-05-05-13

\* REFERENCED HEIGHT MAY VARY



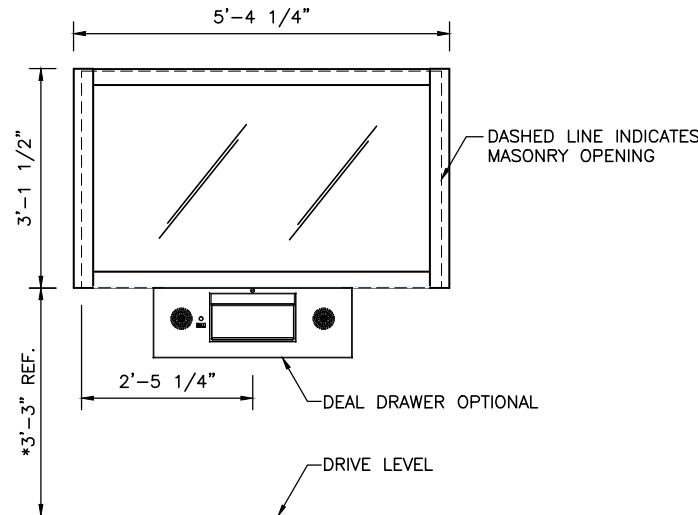
**NOTE:**

- 5'-0" WINDOW SHOWN
- DRAWER CUTOUT CAN BE POSITIONED ANYWHERE UNDER WINDOW.

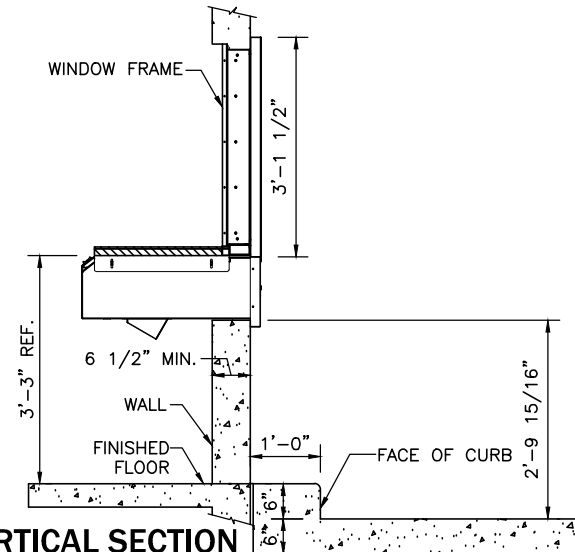


**INSIDE ELEVATION MASONRY OPENING**

**INSIDE ELEVATION**

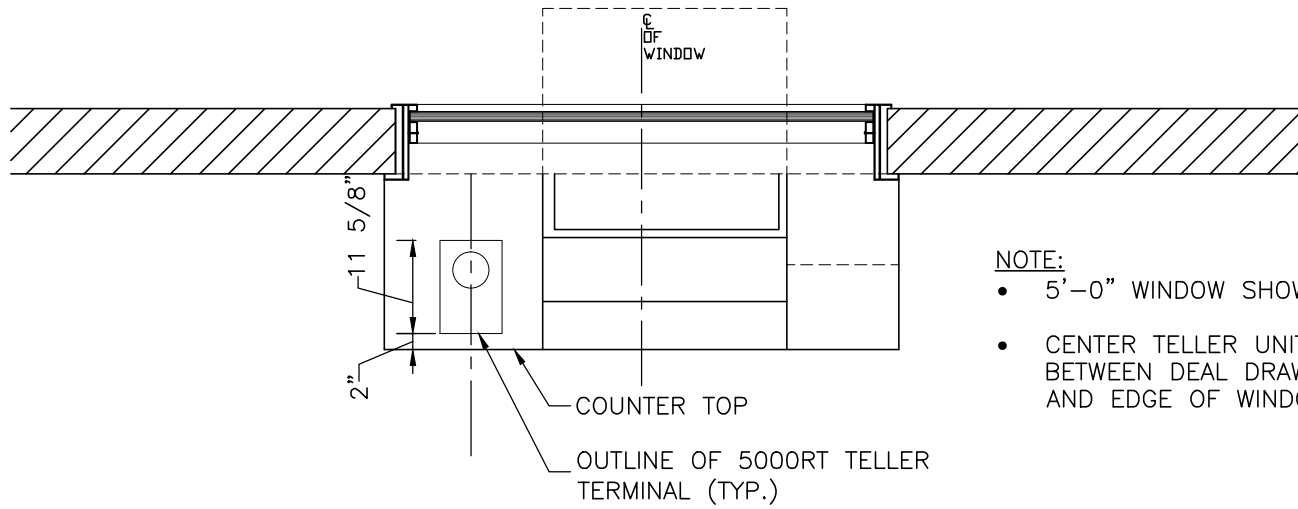


**FRONT ELEVATION**



**VERTICAL SECTION**

APPROVED BY:	PREPARED FOR:	DRAWING NAME: 5000RT 1 LANE & 5FT WINDOW w/DRAWER
	PROJECT NAME:	REVISION #: 5000-1R-5W-DD-05-05-13

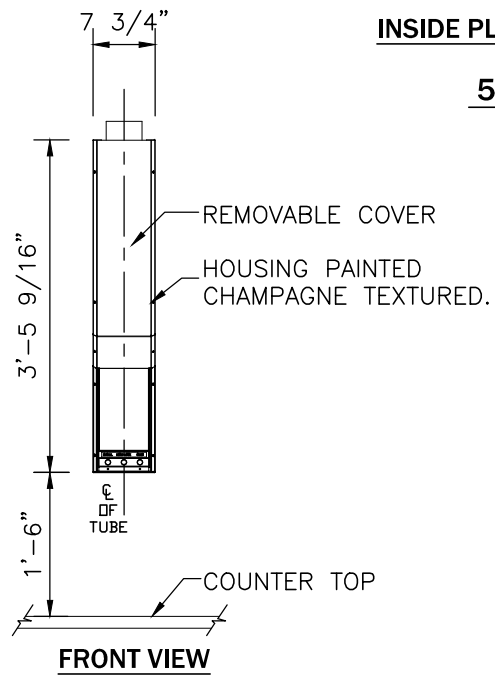


**NOTE:**

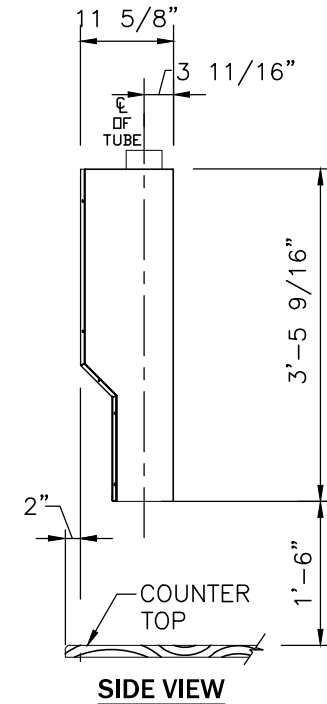
- 5'-0" WINDOW SHOWN
- CENTER TELLER UNIT BETWEEN DEAL DRAWER AND EDGE OF WINDOW

**INSIDE PLAN VIEW AT DRIVE-UP COUNTER**

**5000RT TELLER UNIT**



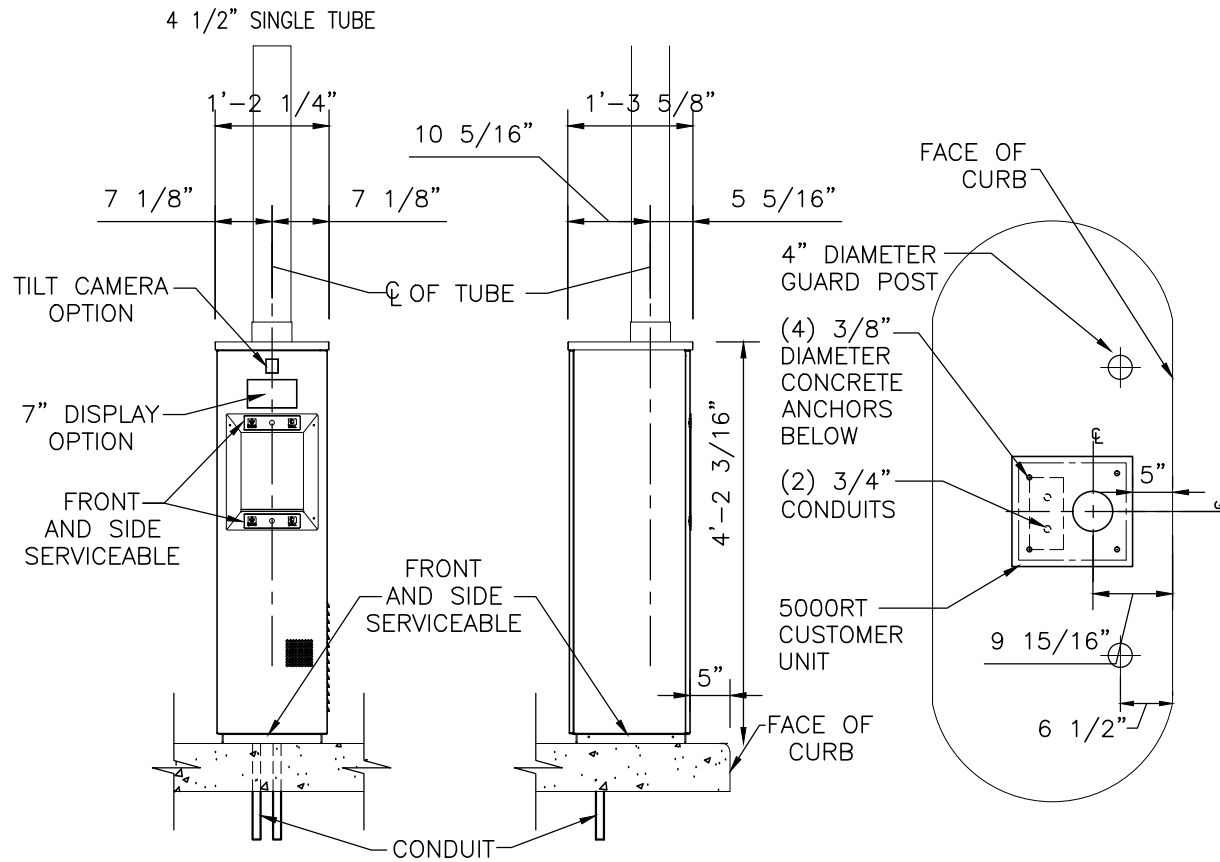
**FRONT VIEW**



**SIDE VIEW**

APPROVED BY:	PREPARED FOR:	DRAWING NAME: 5000RT 1 LANE & 5FT WINDOW w/DRAWER
	PROJECT NAME:	REVISION #: 5000-1R-5W-DD-05-05-13

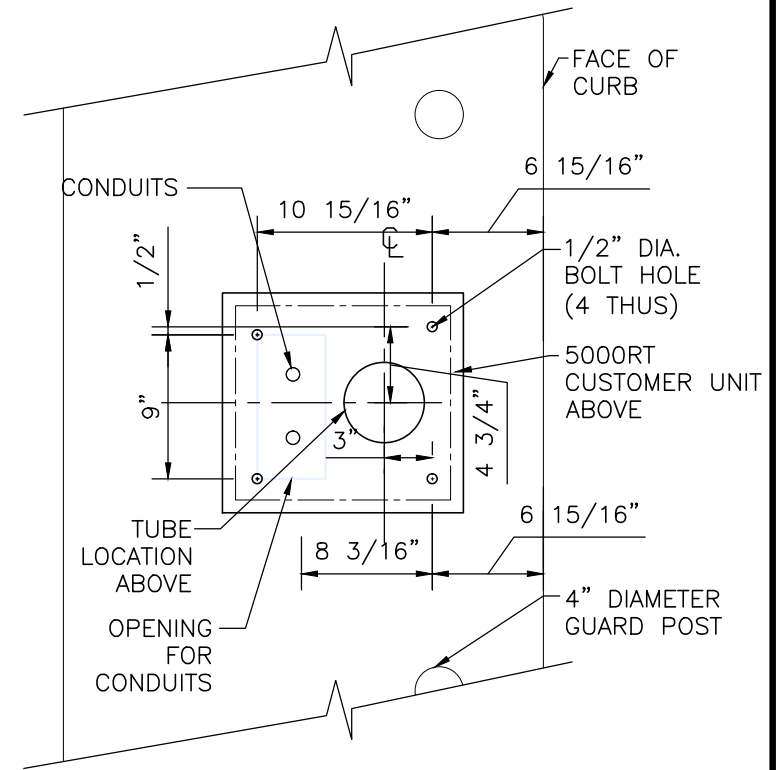
\* DISTANCE FROM  
TUBE CENTERLINE TO  
CONDUIT CENTERLINE



**FRONT VIEW**

**LEFT SIDE ELEVATION**

**TYPICAL ISLAND PLAN**

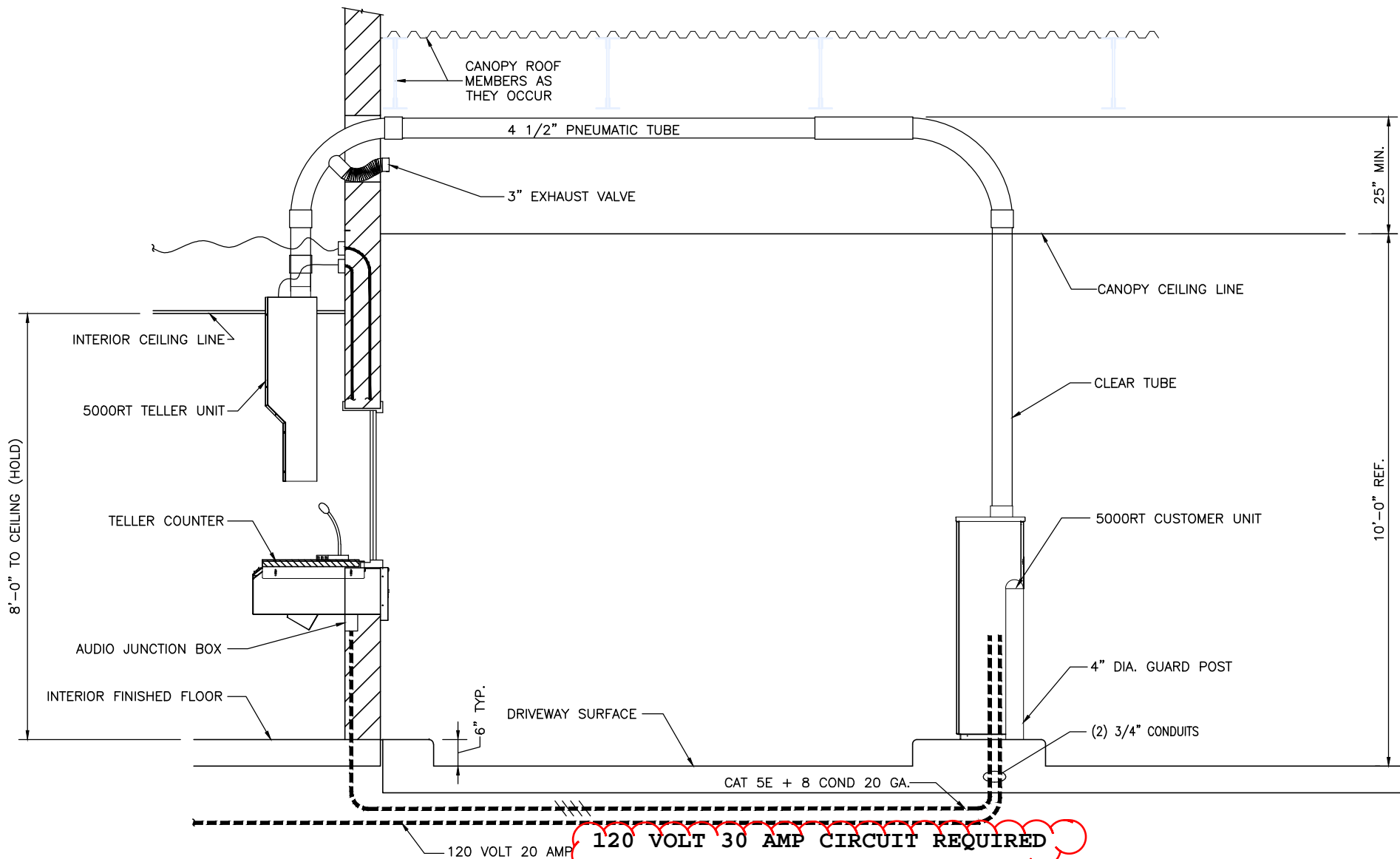


**TOP VIEW OF BASEPLATE**

SCALE: 1" = 1'-0"

## 5000RT CUSTOMER UNIT AND LAYOUT

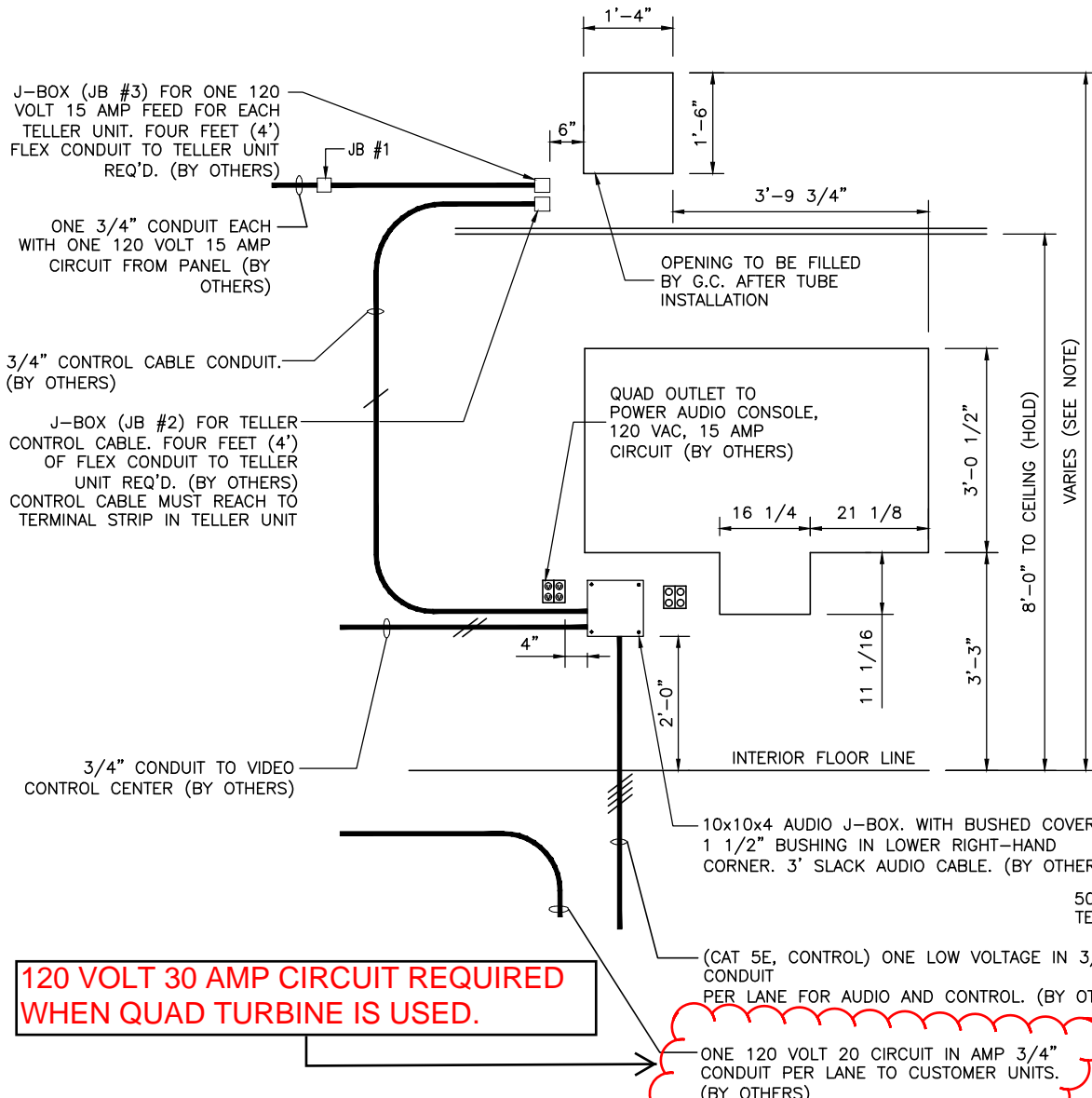
	PREPARED FOR:	DRAWING NAME: 5000RT 1 LANE & 5FT WINDOW w/DRAWER
APPROVED BY:	PROJECT NAME:	REVISION #: 5000-1R-5W-DD-05-05-13



**120 VOLT 30 AMP CIRCUIT REQUIRED  
 WHEN QUAD TURBINE IS USED**

**DRIVE-UP SYSTEM VERTICAL SECTION**

	PREPARED FOR:	DRAWING NAME: 5000RT 1 LANE & 5FT WINDOW w/DRAWER
APPROVED BY:	PROJECT NAME:	REVISION #: 5000-1R-5W-DD-05-05-13



**120 VOLT 30 AMP CIRCUIT REQUIRED WHEN QUAD TURBINE IS USED.**

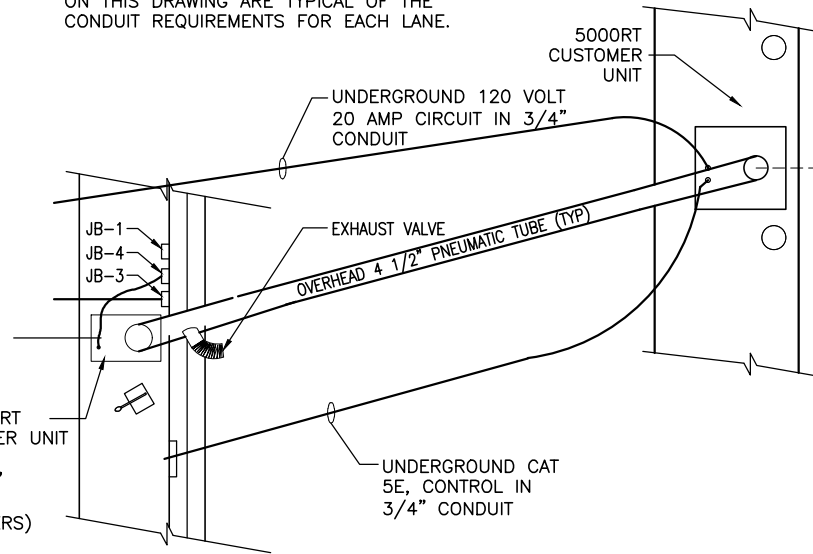
**WALL OPENING AND ELECTRICAL DETAIL**

**LEGEND**

— REPRESENTS CONDUIT WITH A SINGLE JACKETED MULTICONDUCTOR OR COAXIAL LOW-VOLTAGE CABLE.

- NOTE:**
- 120 VOLT 20 AMP - CUSTOMER UNIT
  - 120 VOLT 15 AMP - TELLER UNIT

**NOTE:**  
THE TWO CONDUIT PATHWAYS SHOWN ON THIS DRAWING ARE TYPICAL OF THE CONDUIT REQUIREMENTS FOR EACH LANE.



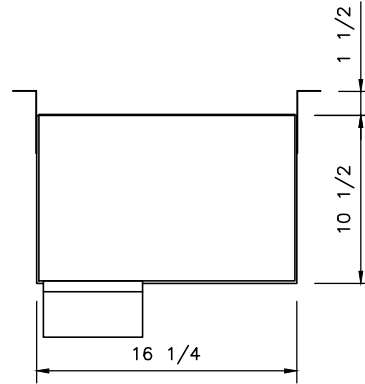
**TYPICAL ELECTRICAL LAYOUT**

N.T.S.

APPROVED BY:	PREPARED FOR:	DRAWING NAME: 5000RT 1 LANE & 5FT WINDOW w/DRAWER
	PROJECT NAME:	REVISION #: 5000-1R-5W-DD-05-05-13

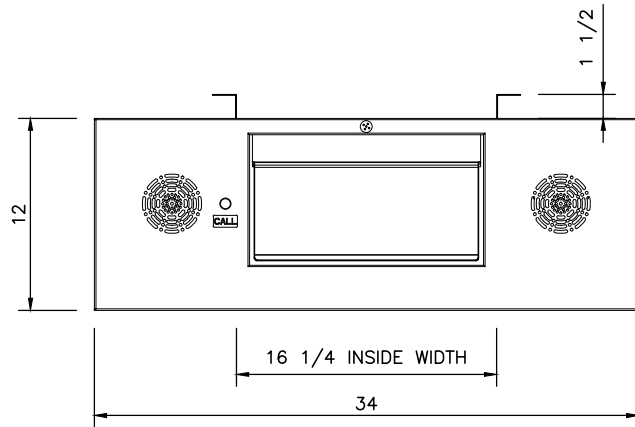
ELECTRICAL SPECIFICATIONS:  
 120 VOLT 15 AMP DEDICATED CIRCUIT.

AUDIO:  
 MICROPHONE: 2K IMPEDANCE CONDENSER TYPE  
 SPEAKER: 8 OHMS IMPEDANCE, 4" SQUARE  
 CALL BUTTON: NORMALLY OPEN CONTACT

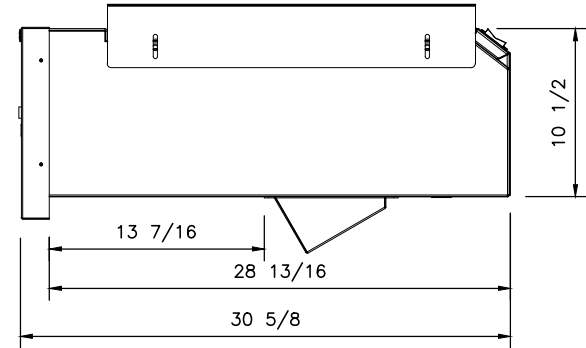


INSIDE ELEVATION

\* MANUAL HANDLE SHOWN FOR ILLUSTRATION PURPOSES ONLY



FRONT ELEVATION



VERTICAL SECTION

TD-750 TRANSACTION DRAWER (DEAL DRAWER)

	PREPARED FOR:	DRAWING NAME: 5000RT 1 LANE & 5FT WINDOW w/DRAWER
APPROVED BY:	PROJECT NAME:	REVISION #: 5000-1R-5W-DD-05-05-13