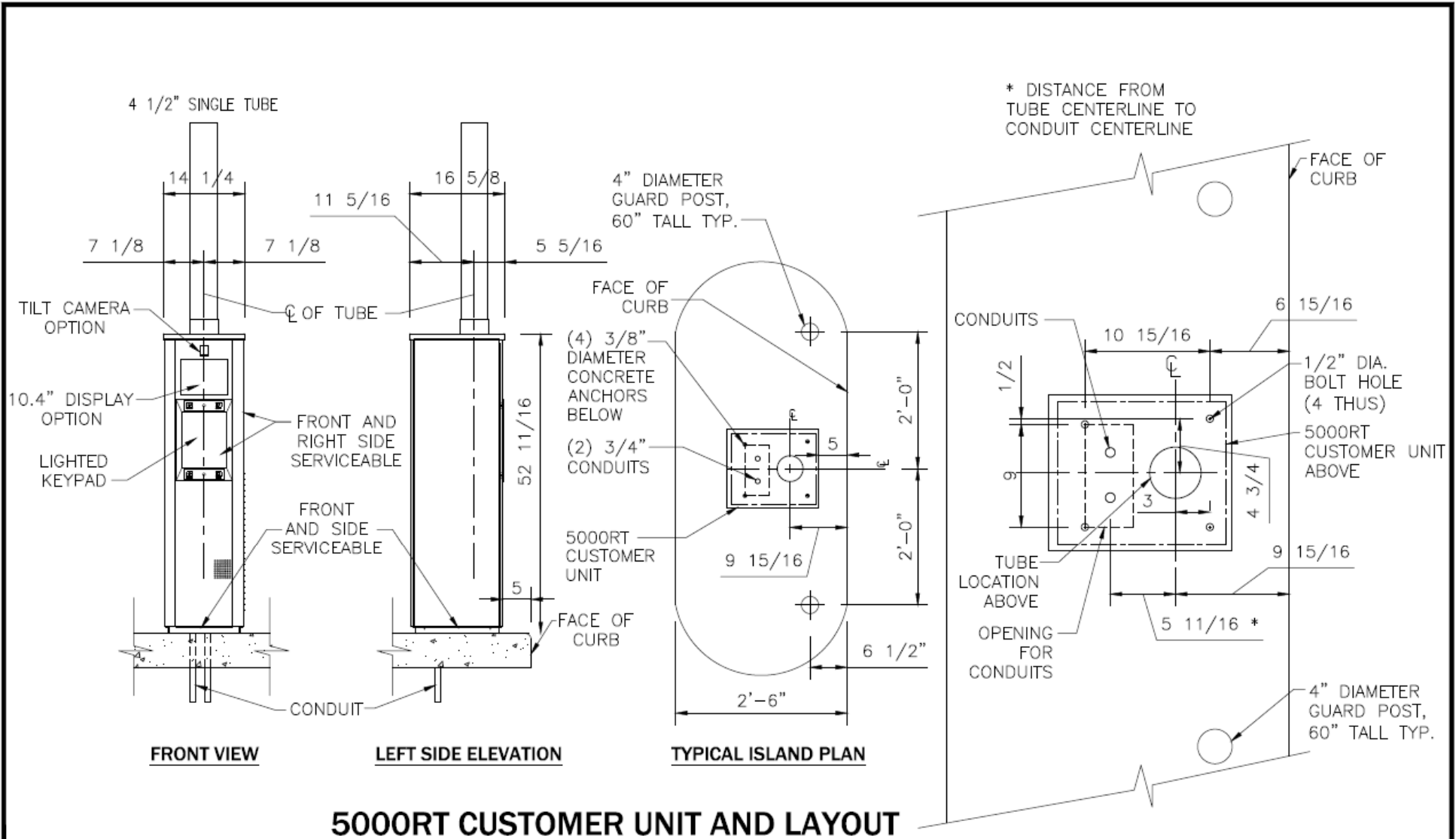


SCALE: 3/8"=1'-0" (UNLESS OTHERWISE NOTED)



PREPARED FOR:				DRAWING NAME: 5000RT WITH MANUAL TELLER	
DATE:	DRAWN BY:	APPROVED BY:	REVISED:	PROJECT NAME:	DRAWING NUMBER: 5000RT-MT - 1 LANE
				SHEET:	



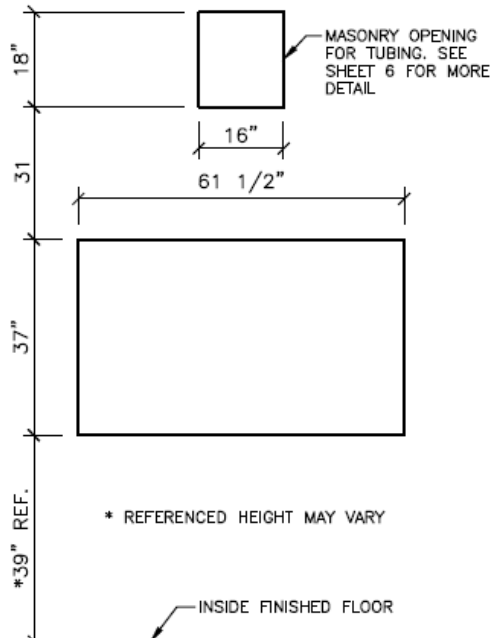
## 5000RT CUSTOMER UNIT AND LAYOUT

**TOP VIEW OF BASEPLATE**  
SCALE: 1" = 1'-0"

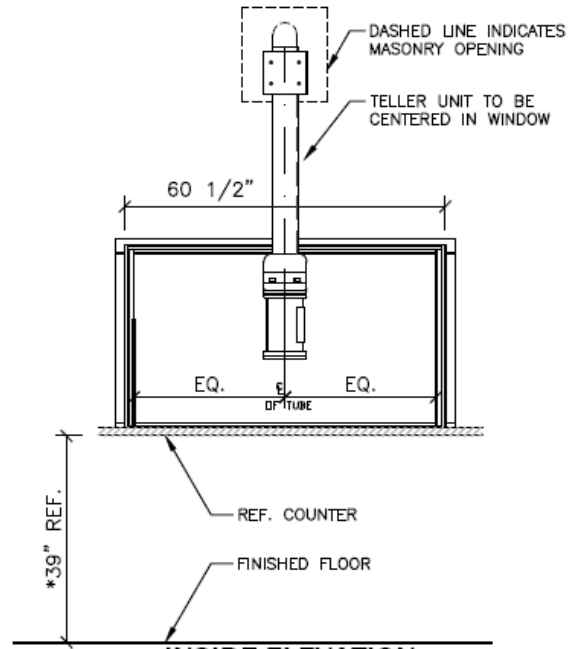


SCALE: 1/2"=1'-0" (UNLESS OTHERWISE NOTED)

			PREPARED FOR:	DRAWING NAME: <b>5000RT WITH MANUAL TELLER</b>	
DRAWN BY:	APPROVED BY:	REVISED:	PROJECT NAME:	DRAWING NUMBER: <b>5000RT-MT - 1 LANE</b>	SHEET:

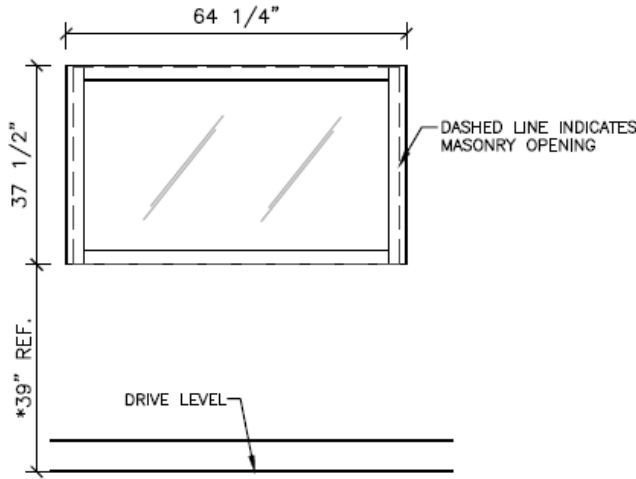


NOTE:  
 • 5'-0" WINDOW SHOWN

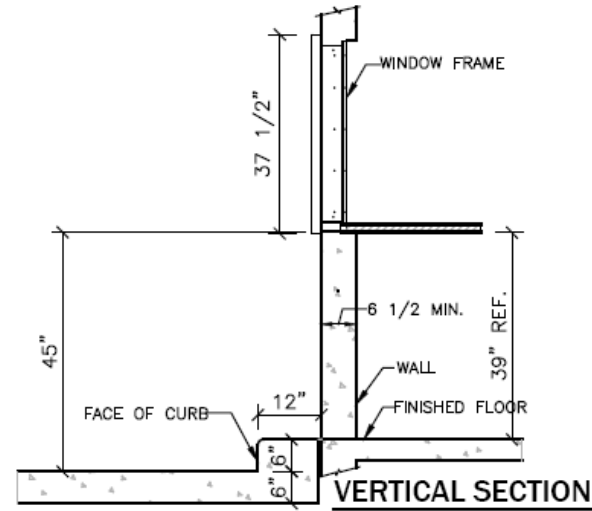


**INSIDE ELEVATION MASONRY OPENING**

**INSIDE ELEVATION**



**FRONT ELEVATION**

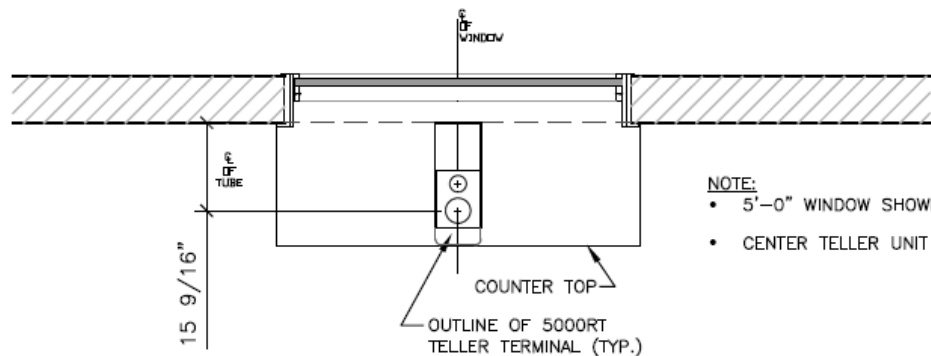


**VERTICAL SECTION**

SCALE: 3/8"=1'-0"  
 (UNLESS OTHERWISE NOTED)



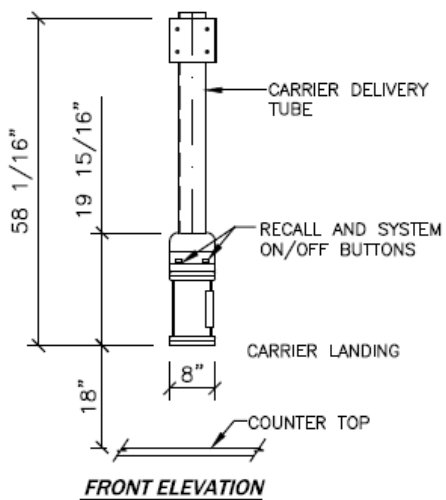
PREPARED FOR:				DRAWING NAME: 5000RT WITH MANUAL TELLER	
DATE:	DRAWN BY:	APPROVED BY:	REVISED:	PROJECT NAME:	DRAWING NUMBER: 5000RT-MT - 1 LANE
				SHEET:	



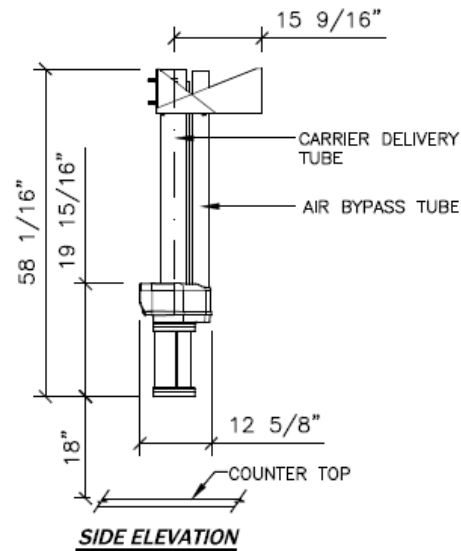
- NOTE:**
- 5'-0" WINDOW SHOWN
  - CENTER TELLER UNIT IN WINDOW

**INSIDE PLAN VIEW AT DRIVE-UP COUNTER**

**6000RT TELLER UNIT**



**FRONT ELEVATION**

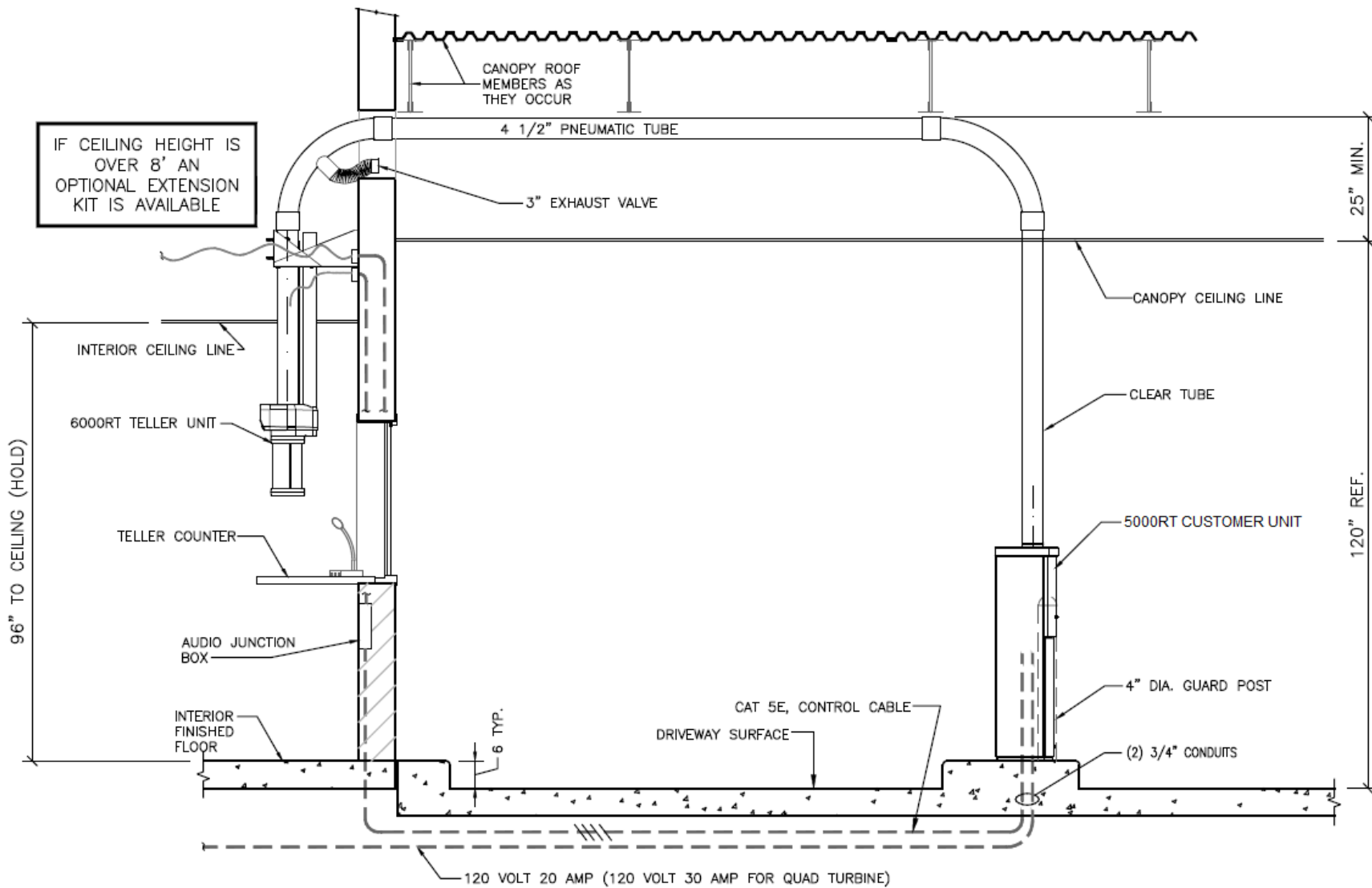


**SIDE ELEVATION**

SCALE: 3/8"=1'-0" (UNLESS OTHERWISE NOTED)



PREPARED FOR:				DRAWING NAME: 5000RT WITH MANUAL TELLER		
DATE:	DRAWN BY:	APPROVED BY:	REVISED:	PROJECT NAME:	DRAWING NUMBER: 5000RT-MT - 1 LANE	SHEET:



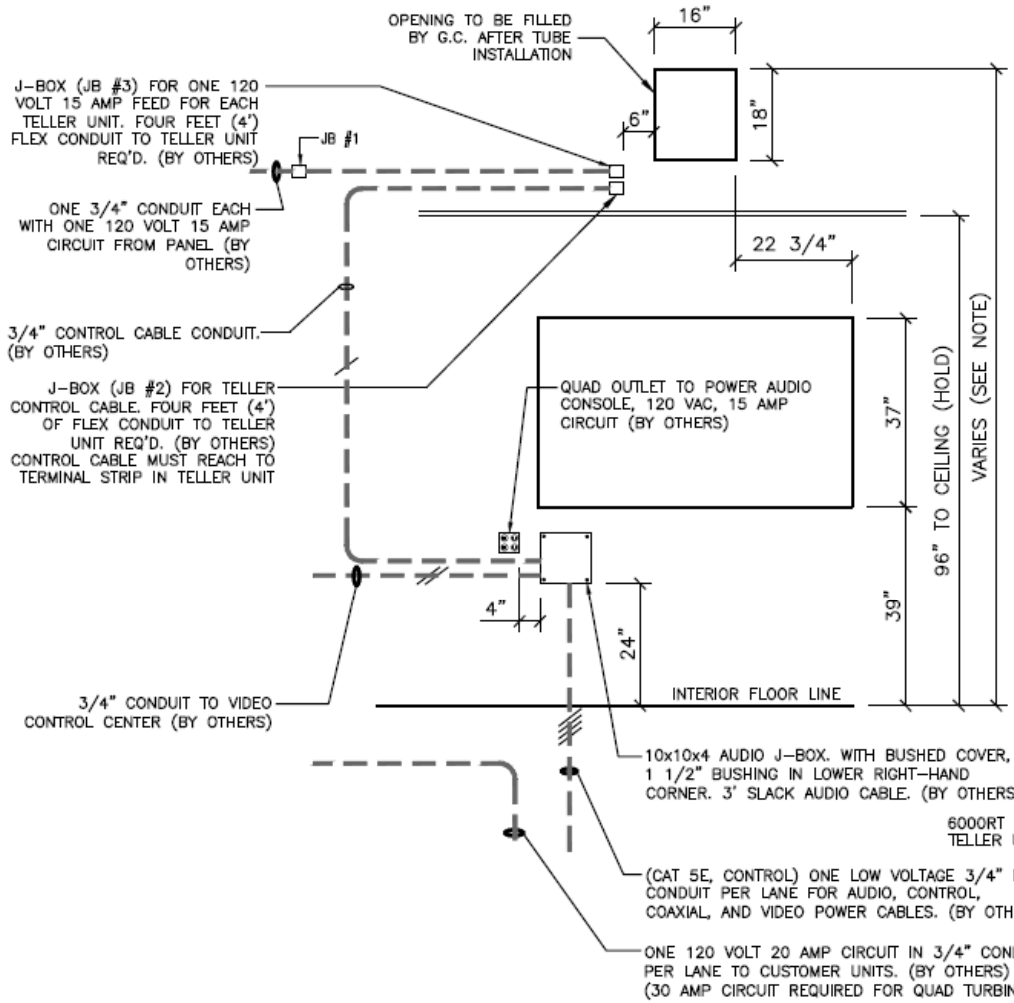
IF CEILING HEIGHT IS OVER 8' AN OPTIONAL EXTENSION KIT IS AVAILABLE

**DRIVE-UP SYSTEM VERTICAL SECTION**

SCALE: 3/8"=1'-0" (UNLESS OTHERWISE NOTED)



				PREPARED FOR:	DRAWING NAME: 5000RT WITH MANUAL TELLER	
DATE:	DRAWN BY:	APPROVED BY:	REVISED:	PROJECT NAME:	DRAWING NUMBER: 5000RT-MT - 1 LANE	SHEET:



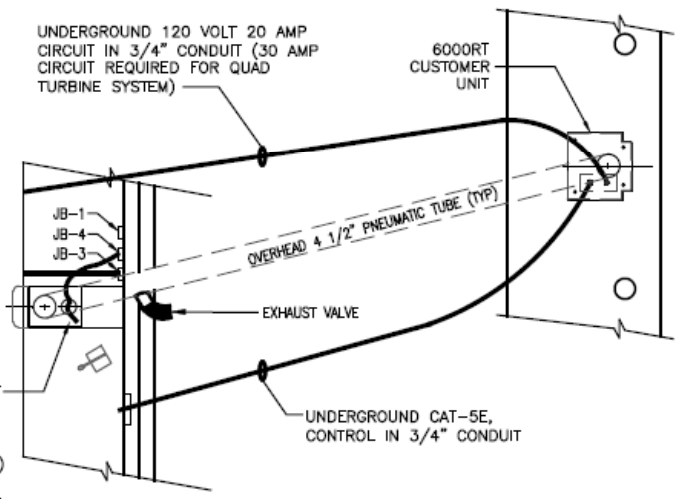
**LEGEND**

- | REPRESENTS CONDUIT WITH A SINGLE JACKETED MULTICONDUCTOR OR COAXIAL LOW-VOLTAGE CABLE.

**NOTE:**

- 120 VOLT 20 AMP - CUSTOMER UNIT (120 VOLT 30 AMP - FOR QUAD TURBINE)
- 120 VOLT 15 AMP - TELLER UNIT

**NOTE:**  
THE TWO CONDUIT PATHWAYS SHOWN ON THIS DRAWING ARE TYPICAL OF THE CONDUIT REQUIREMENTS FOR EACH LANE.



**WALL OPENING AND ELECTRICAL DETAIL**

**TYPICAL ELECTRICAL LAYOUT**  
N.T.S.



DATE: 7/2/16	DRAWN BY:	APPROVED BY:	REVISED:	PROJECT NAME:	PREPARED FOR:	DRAWING NAME: 5000RT WITH MANUAL TELLER	DRAWING NUMBER: 5000RT-MT - 1 LANE	SHEET:
-----------------	-----------	--------------	----------	---------------	---------------	--	---------------------------------------	--------