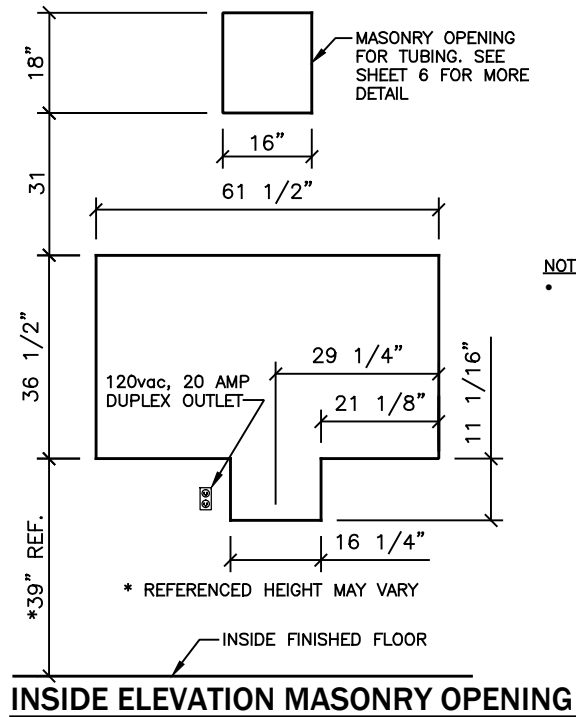


SCALE: 3/8"=1'-0" (UNLESS OTHERWISE NOTED)

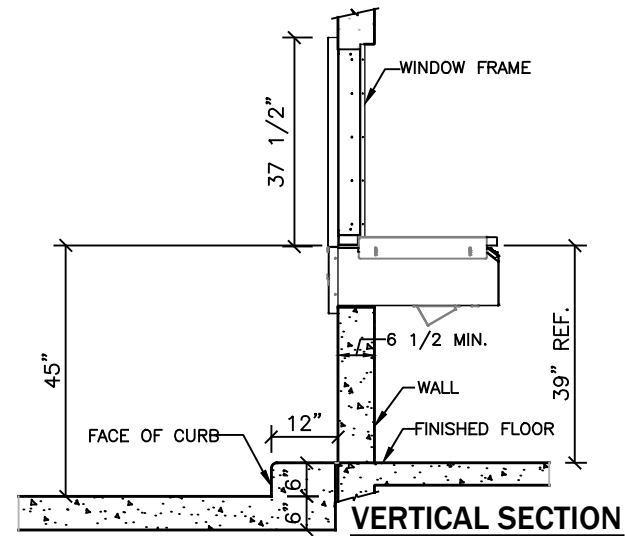
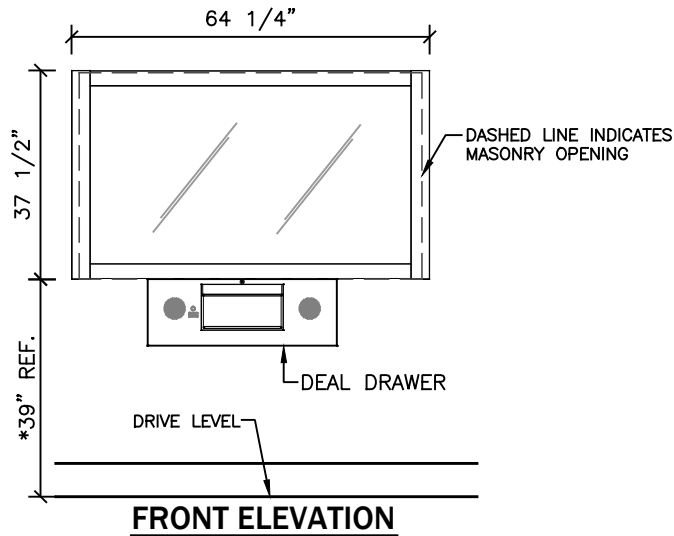
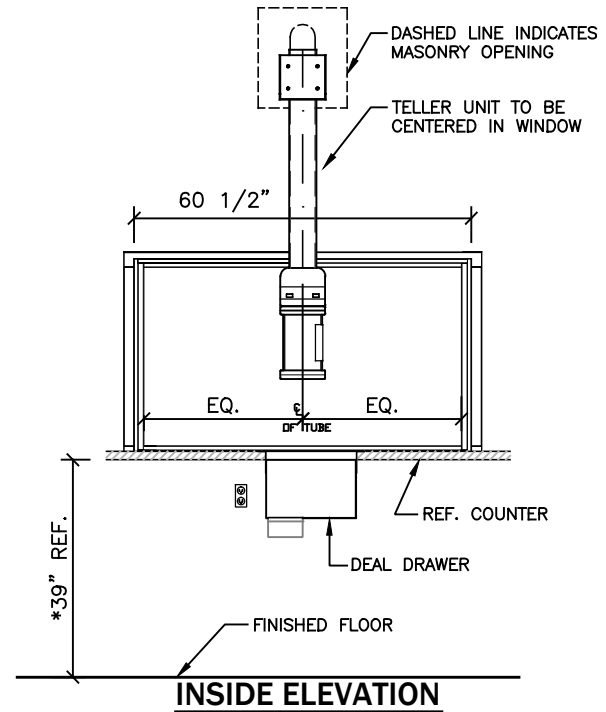
Made in the U.S.A.



DATE: 12/28/16				DRAWN BY: WDM/FSP		APPROVED BY: XXX		REVISED:		PREPARED FOR:		DRAWING NAME: 6000RT 1 LANE & 5FT WINDOW W/DRAWER	
PROJECT NAME:				DRAWING NUMBER: 6000RT-1R-5W-DD				SHEET: 1 of 7					



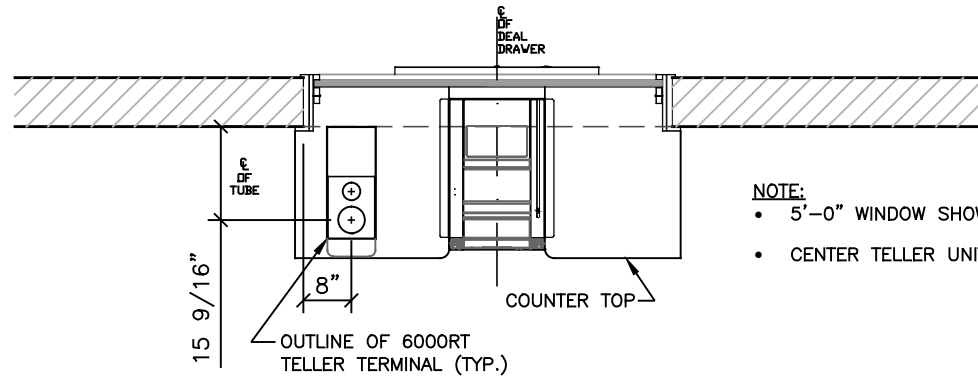
NOTE:
 • 5'-0" WINDOW SHOWN



SCALE: 3/8"=1'-0"
 (UNLESS OTHERWISE NOTED)



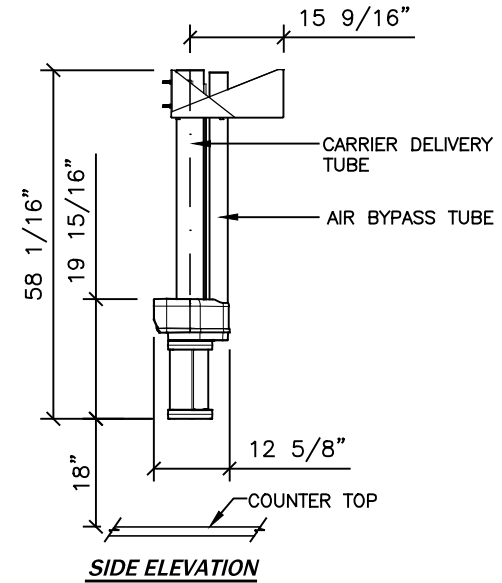
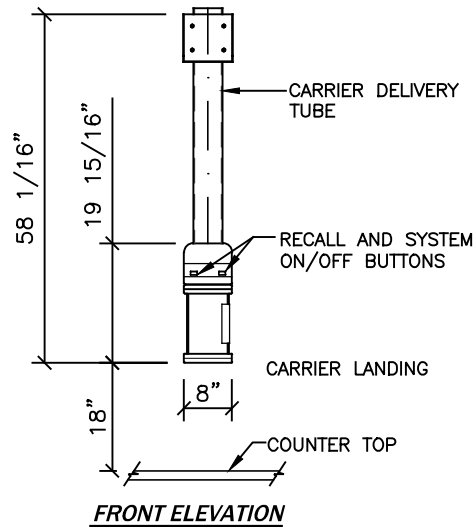
DATE: 12/28/16				DRAWN BY: WDM/FSP		APPROVED BY: XXX		REVISED:		PREPARED FOR:		DRAWING NAME: 6000RT 1 LANE & 5FT WINDOW W/DRAWER	
PROJECT NAME:				DRAWING NUMBER: 6000RT-1R-5W-DD				SHEET: 2 of 7					



- NOTE:**
- 5'-0" WINDOW SHOWN
 - CENTER TELLER UNIT IN WINDOW

INSIDE PLAN VIEW AT DRIVE-UP COUNTER

6000RT TELLER UNIT

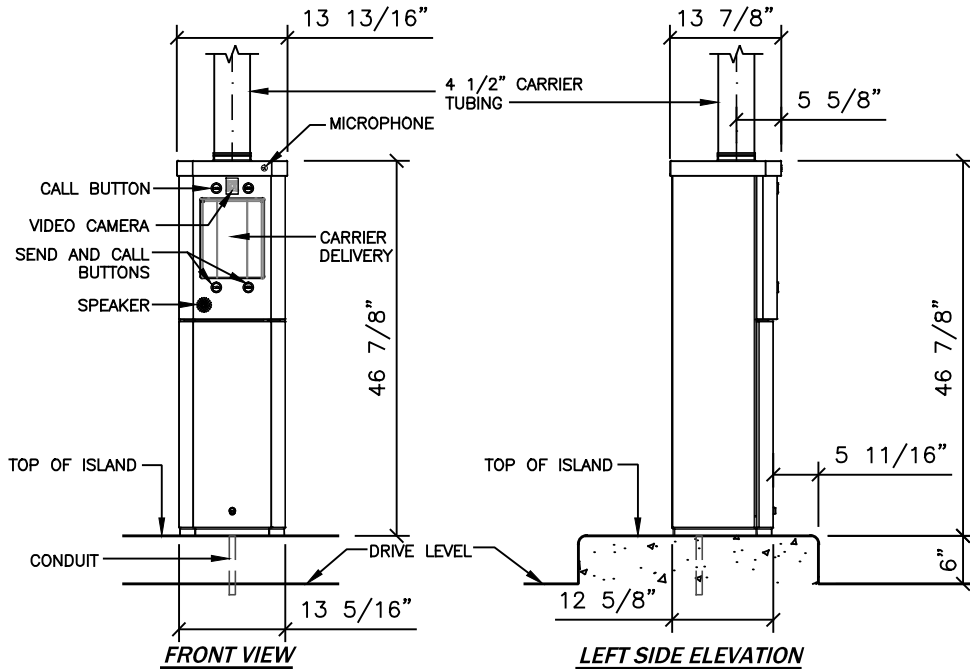


SCALE: 3/8"=1'-0" (UNLESS OTHERWISE NOTED)

Made in the U.S.A.

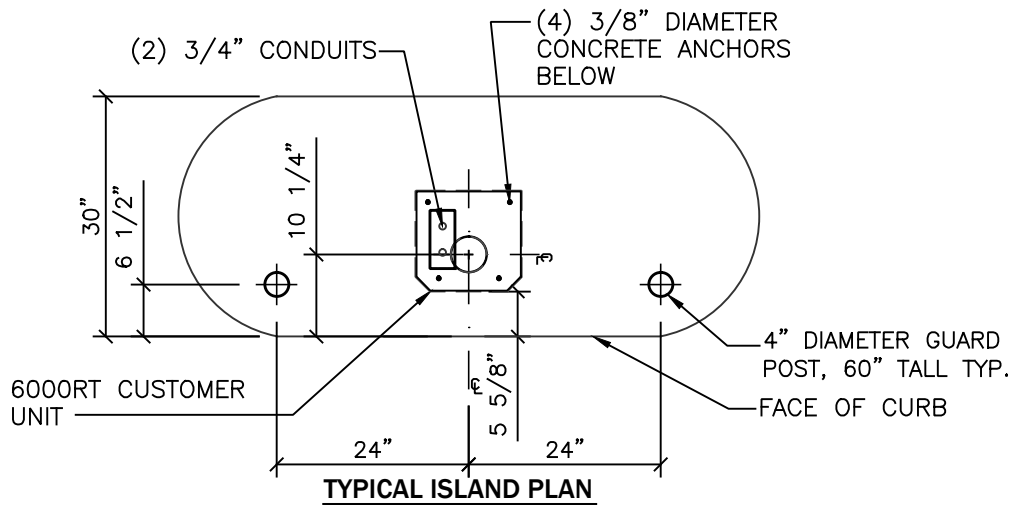
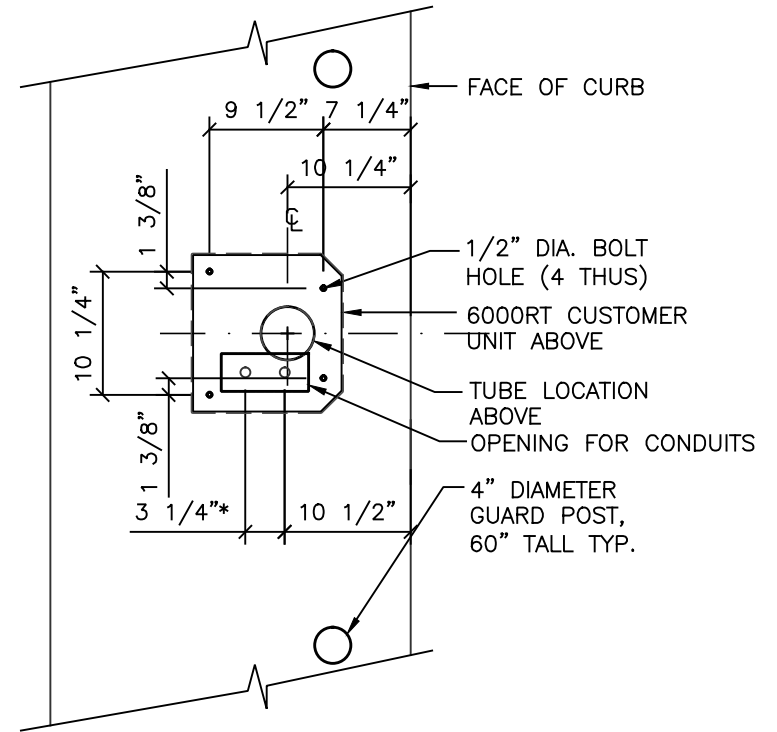


				PREPARED FOR:	DRAWING NAME: 6000RT 1 LANE & 5FT WINDOW W/DRAWER	
DATE: 12/28/16	DRAWN BY: WDM/FSP	APPROVED BY: XXX	REVISED:	PROJECT NAME:	DRAWING NUMBER: 6000RT-1R-5W-DD	SHEET: 3 of 7



6000RT CUSTOMER TERMINAL

* DISTANCE FROM TUBE CENTERLINE TO CONDUIT CENTERLINE

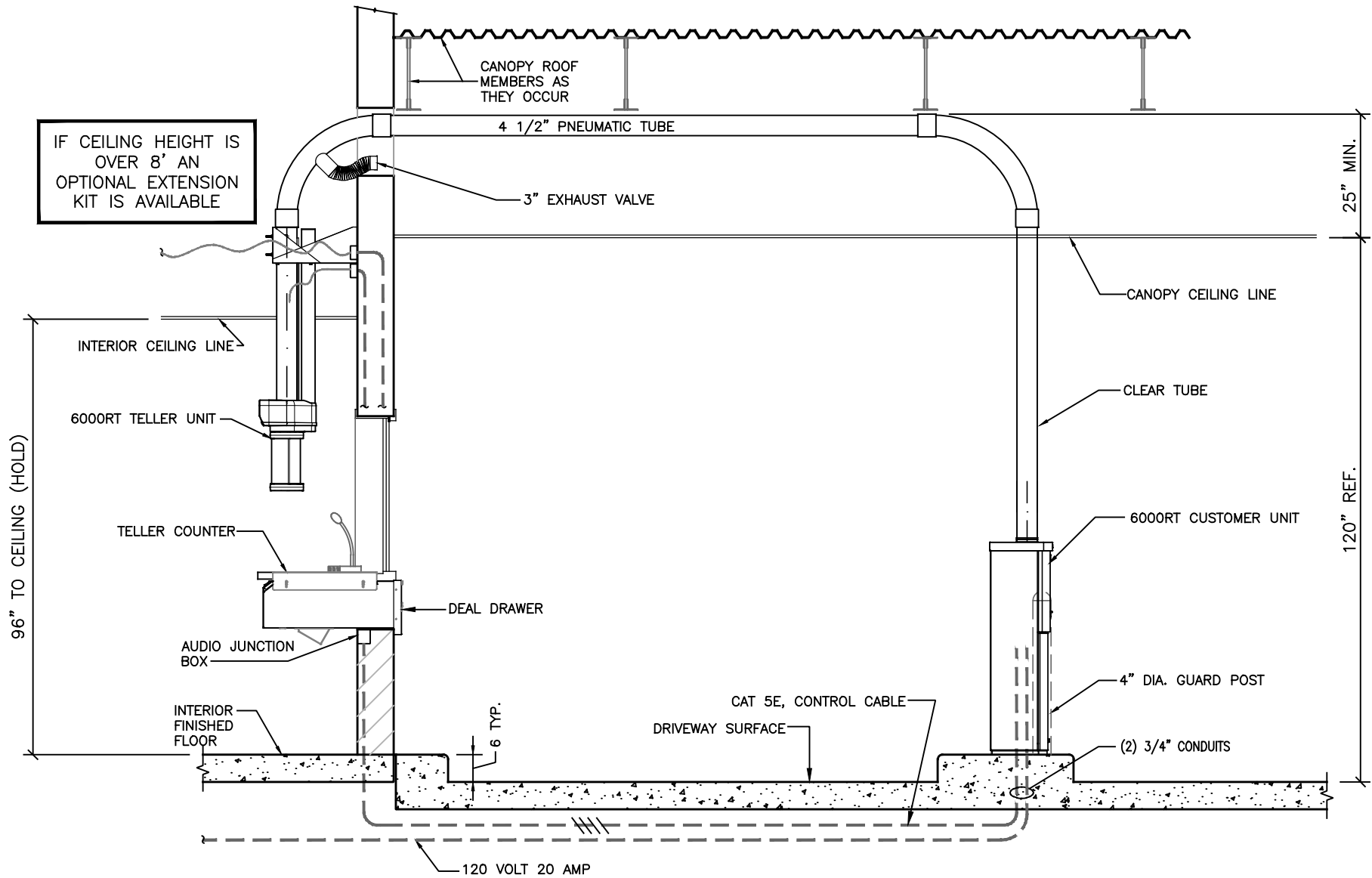


SCALE: 1/2"=1'-0" (UNLESS OTHERWISE NOTED)

Made in the U.S.A.



PREPARED FOR:				DRAWING NAME: 6000RT 1 LANE & 5FT WINDOW W/DRAWER		
DATE: 12/28/16	DRAWN BY: WDM/FSP	APPROVED BY: XXX	REVISED:	PROJECT NAME:	DRAWING NUMBER: 6000RT-1R-5W-DD	SHEET: 4 of 7



DRIVE-UP SYSTEM VERTICAL SECTION

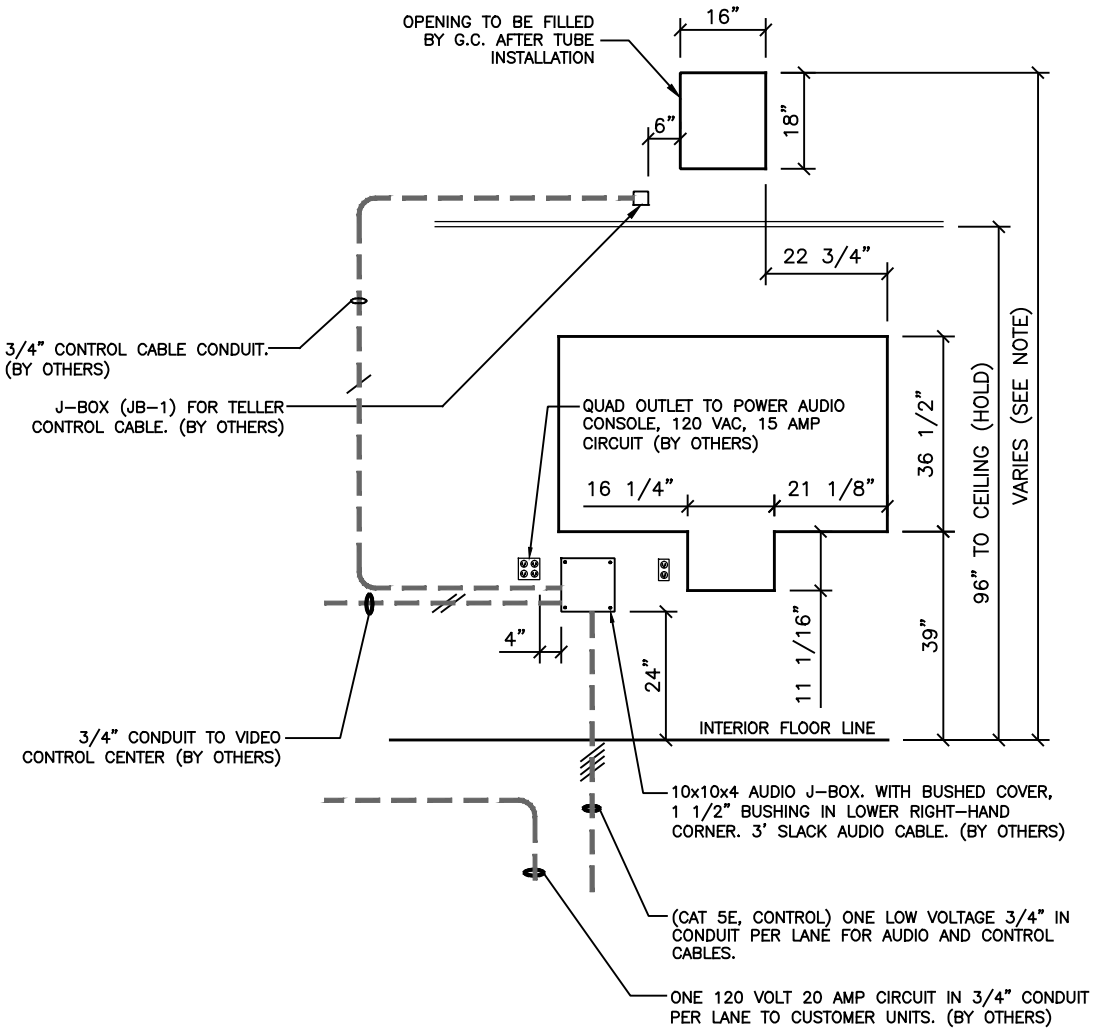
SCALE: 3/8"=1'-0" (UNLESS OTHERWISE NOTED)



DATE: 12/28/16				DRAWN BY: WDM/FSP		APPROVED BY: XXX		REVISED:		PREPARED FOR:		DRAWING NAME: 6000RT 1 LANE & 5FT WINDOW W/DRAWER	
PROJECT NAME:				DRAWING NUMBER: 6000RT-1R-5W-DD		SHEET: 5 of 7							

LEGEND

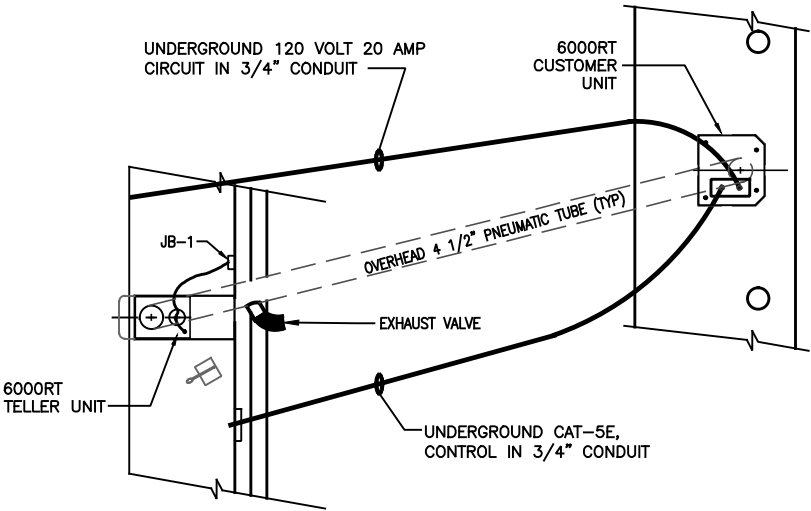
- ▮ REPRESENTS CONDUIT
- WITH A SINGLE JACKETED MULTICONDUCTOR OR COAXIAL LOW-VOLTAGE CABLE.



WALL OPENING AND ELECTRICAL DETAIL

NOTE:
 • 120 VOLT 20 AMP - CUSTOMER UNIT

NOTE:
 THE TWO CONDUIT PATHWAYS SHOWN ON THIS DRAWING ARE TYPICAL OF THE CONDUIT REQUIREMENTS FOR EACH LANE.



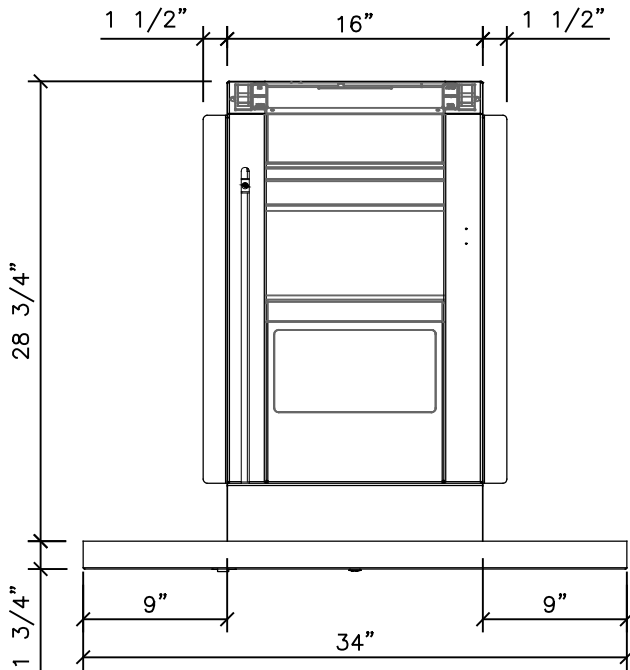
TYPICAL ELECTRICAL LAYOUT

N.T.S.

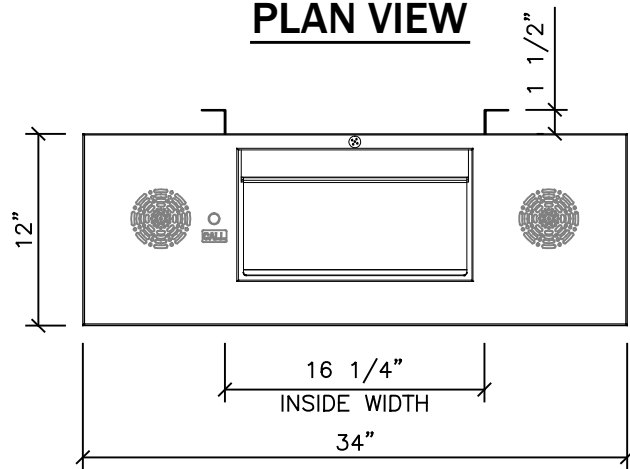
Made in the U.S.A.



DATE: 12/28/16	DRAWN BY: WDM/FSP	APPROVED BY: XXX	REVISED:	PREPARED FOR:	PROJECT NAME:	DRAWING NAME: 6000RT 1 LANE & 5FT WINDOW W/DRAWER	DRAWING NUMBER: 6000RT-1R-5W-DD	SHEET: 6 of 7
-------------------	----------------------	---------------------	----------	---------------	---------------	--	------------------------------------	------------------



PLAN VIEW

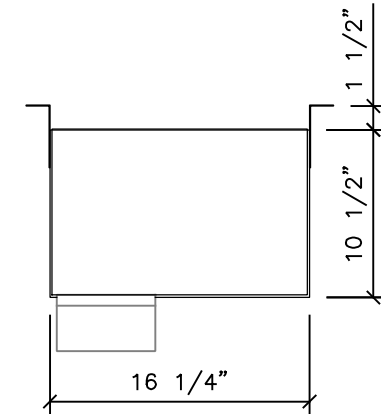


FRONT ELEVATION

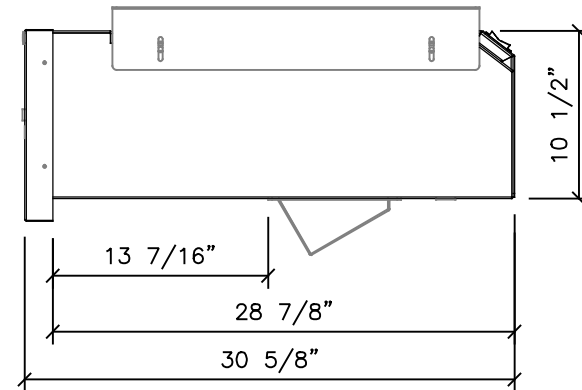
ELECTRICAL SPECIFICATIONS:
120 VOLT, 15 AMP DEDICATED CIRCUIT.

* MANUAL HANDLE SHOWN FOR ILLUSTRATION PURPOSES ONLY

AUDIO:
MICROPHONE: 2K IMPEDANCE CONDENSER TYPE
SPEAKER: 8 OHMS IMPEDANCE, 4" SQUARE
CALL BUTTON: NORMALLY OPEN CONTACT



INSIDE ELEVATION



VERTICAL SECTION

TD-750 TRANSACTION DRAWER (DEAL DRAWER)

Made in the U.S.A.



DATE: 12/28/16				DRAWN BY: WDM/FSP		APPROVED BY: XXX		REVISED:		PREPARED FOR:		DRAWING NAME: 6000RT 1 LANE & 5FT WINDOW W/DRAWER	
PROJECT NAME:				DRAWING NUMBER: 6000RT-1R-5W-DD				SHEET: 7 of 7					