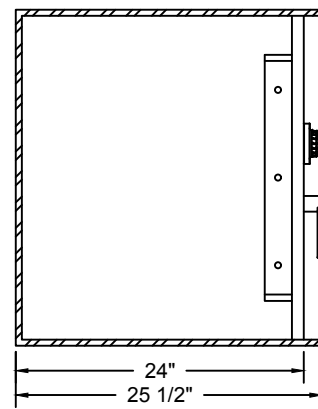
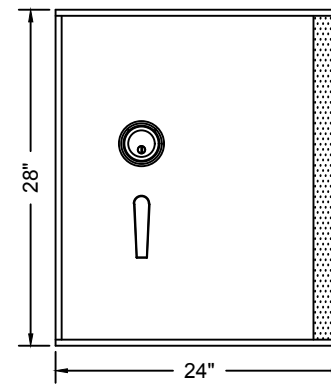


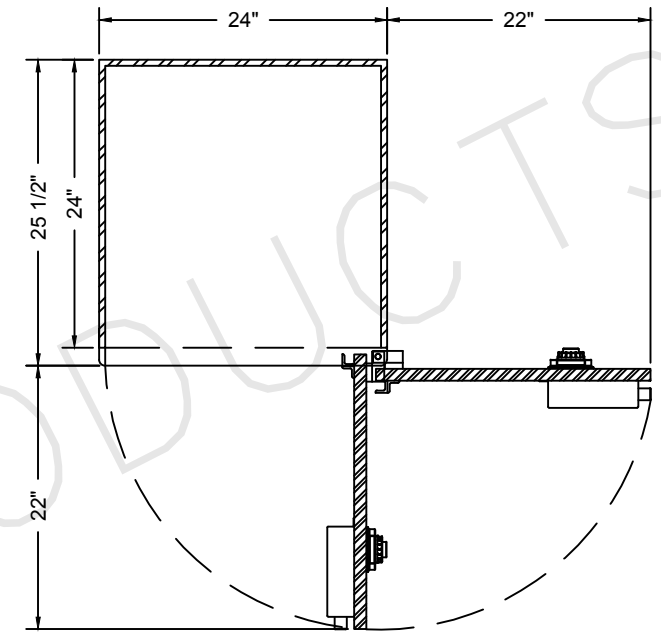
RIGHT HAND SWING



SECTION VIEW

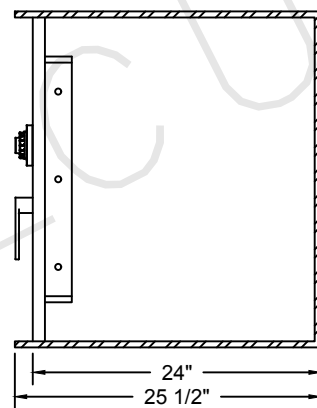


ELEVATION VIEW

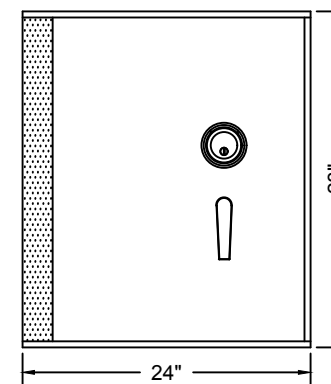


PLAN VIEW

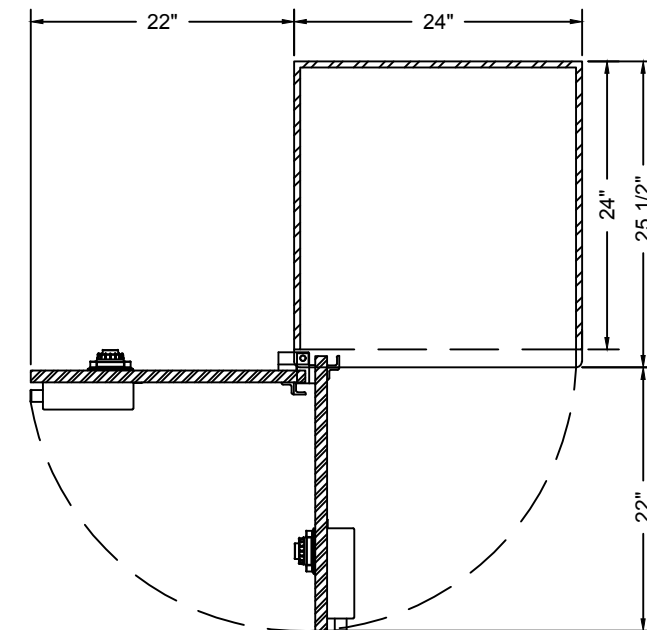
LEFT HAND SWING



SECTION VIEW



ELEVATION VIEW



PLAN VIEW

**NOTES**

SAFE INSTALLED WITH THE FOLLOWING:

- GROUP 2M COMBINATION LOCK WITH KEY LOCKING DIAL
- HEAT SENSOR AND DOOR CONTACT
- STAINLESS STEEL HINGE COVER
- 3 POINT BOLT MECHANISM
- EXTENDED ALARM WIRES

MADE IN AMERICA



DRAWING TITLE <b>SAFE 282424</b>		TOLERANCES		
CLIENT	DRAWN BY	DATE	DWG. NO. <b>SAFE 282424</b>	
PROJECT	APPROVED BY	DATE	SCALE <b>3/4" = 1' 0"</b>	SHEET <b>1 OF 1</b>