

TOLERANCES

INTERIOR DEPOSITORY LIGHT COMPONENTS

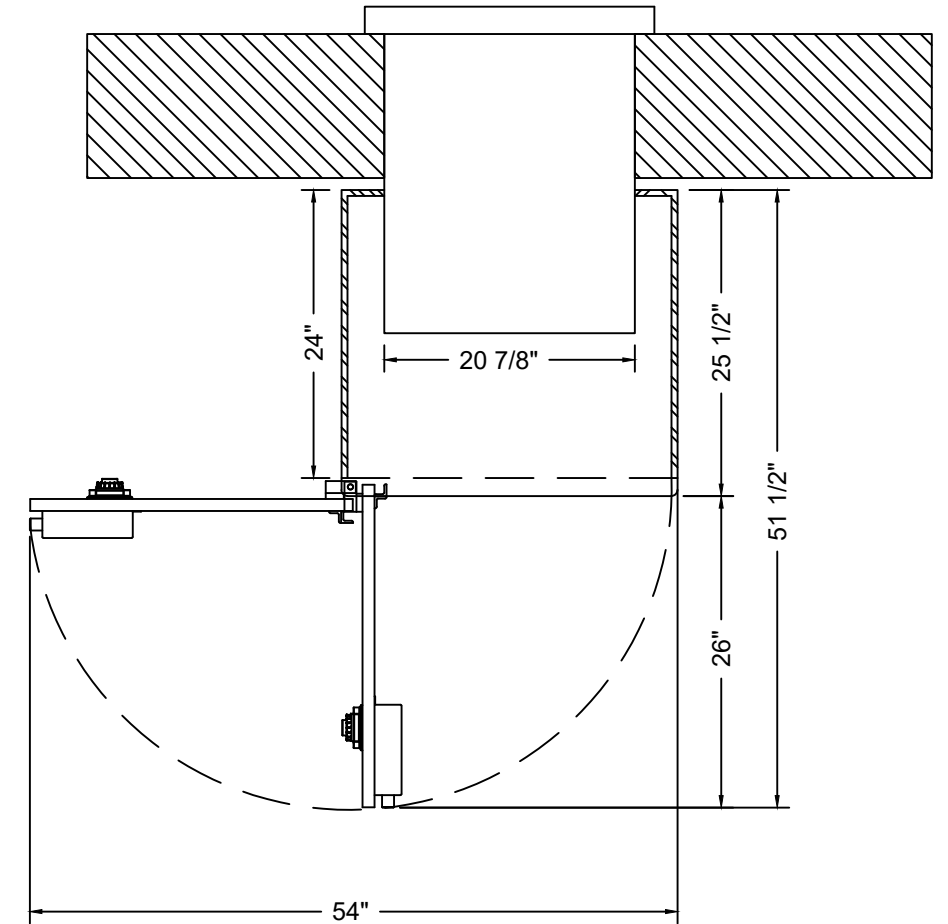
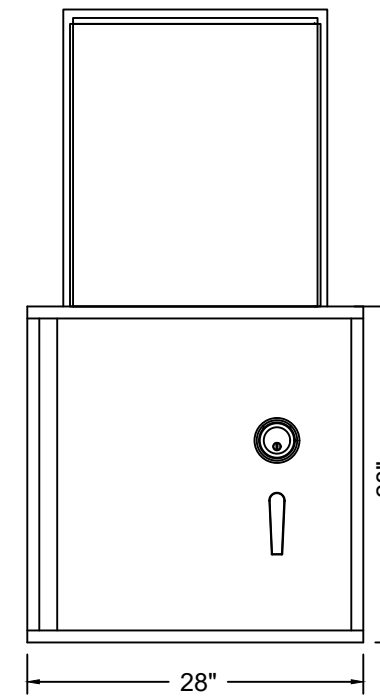
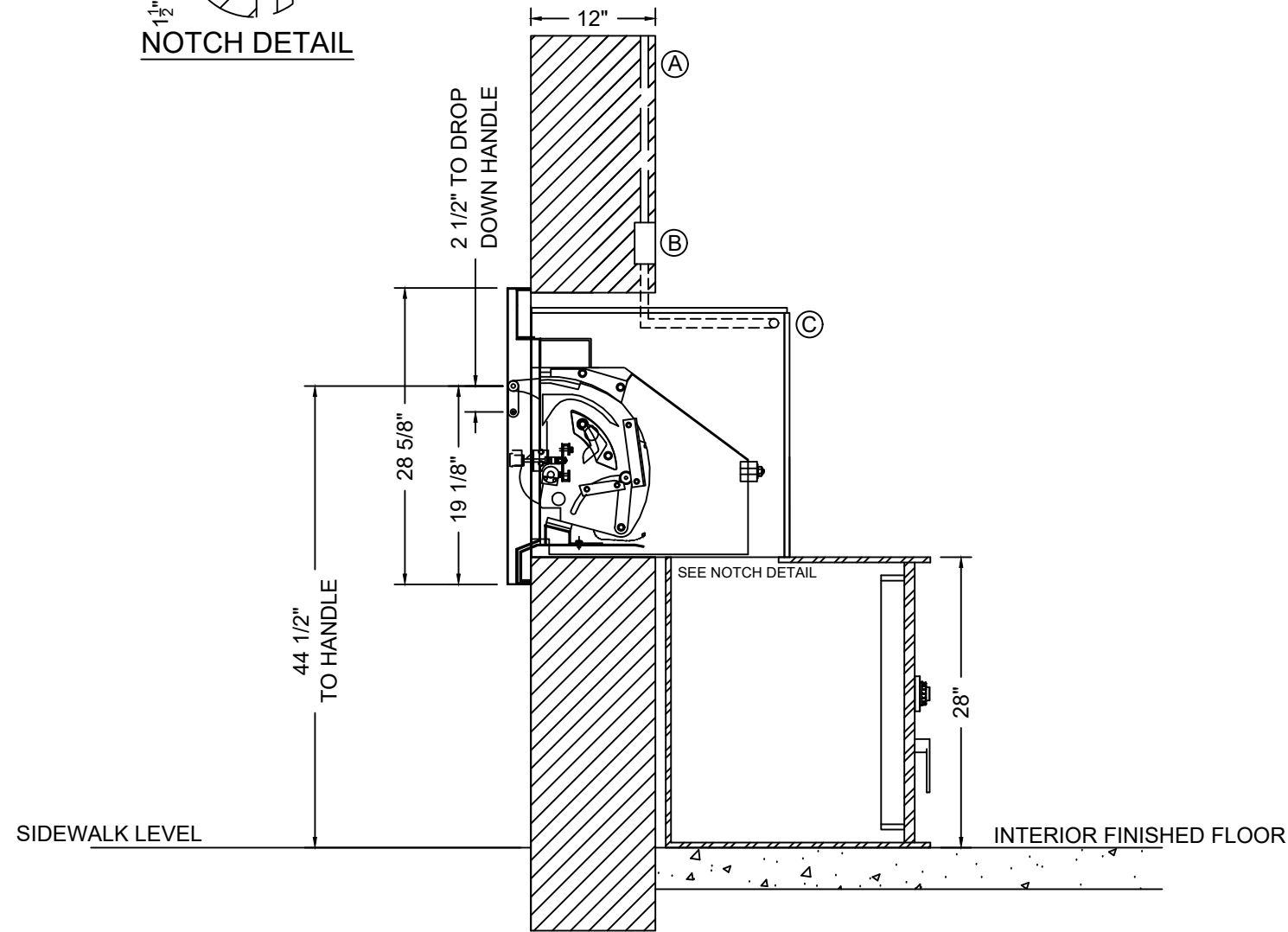
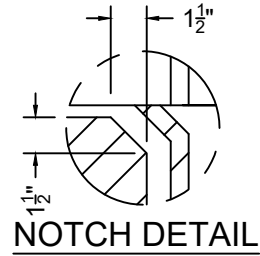
- A. (2) 3/4" CONDUITS FOR ALARM, CCTV, AND ELECTRICAL. STUB IN TO ROUGH OPENING AND TO ACCESSIBLE CEILING WITH BRUSHED END (BY ELECTRICAL CONTRACTOR)
- B. (2) SINGLE J BOX
- C. (2) ROUGH OPENING FOR 3/4" CONDUITS WITH 110V

NOTES

1. RECOMMEND NIGHT DEPOSITORY SHOULD BE PLACED UNDER CANOPY
2. MINIMUM OF TWO (2) 1/2" ANCHOR HOLES PROVIDED
3. INTERIOR WALL OPENING AROUND OUTER HOUSING IS TO BE FILLED (BY OTHERS) USING APPROPRIATE MATERIALS
4. DIMENSIONS SUBJECT TO CHANGE WITHOUT NOTICE. CONFIRM WITH FORTIS PRIOR TO ORDERING
5. HANDLE MEETS ADA GUIDELINES FOR 5lb PULL - 5lb PUSH



DRAWING TITLE 28D DEPOSITORY INTERNAL DEPOSITORY ASSEMBLY		VARIATION SAFE DOOR SWING ORIENTATION: RIGHT HAND SAFE DOOR LOCATION: FRONT SIDE		SIDEWALK/INTERIOR FLOOR HEIGHT DIFFERENCE: 0" SAFE RATING: -	
CLIENT	DRAWN BY	DATE	DWG. NO. 28D-F_0_12		
PROJECT	APPROVED BY	DATE	SCALE 3/4" = 1' 0"	SHEET 1 OF 3	



TOLERANCES

INTERIOR DEPOSITORY LIGHT COMPONENTS

- A. (2) 3/4" CONDUITS FOR ALARM, CCTV, AND ELECTRICAL. STUB IN TO ROUGH OPENING AND TO ACCESSIBLE CEILING WITH BRUSHED END (BY ELECTRICAL CONTRACTOR)
- B. (2) SINGLE J BOX
- C. (2) ROUGH OPENING FOR 3/4" CONDUITS WITH 110V

NOTES

1. RECOMMEND NIGHT DEPOSITORY SHOULD BE PLACED UNDER CANOPY
2. MINIMUM OF TWO (2) 1/2" ANCHOR HOLES PROVIDED
3. INTERIOR WALL OPENING AROUND OUTER HOUSING IS TO BE FILLED (BY OTHERS) USING APPROPRIATE MATERIALS
4. DIMENSIONS SUBJECT TO CHANGE WITHOUT NOTICE. CONFIRM WITH FORTIS PRIOR TO ORDERING
5. HANDLE MEETS ADA GUIDELINES FOR 5lb PULL - 5lb PUSH

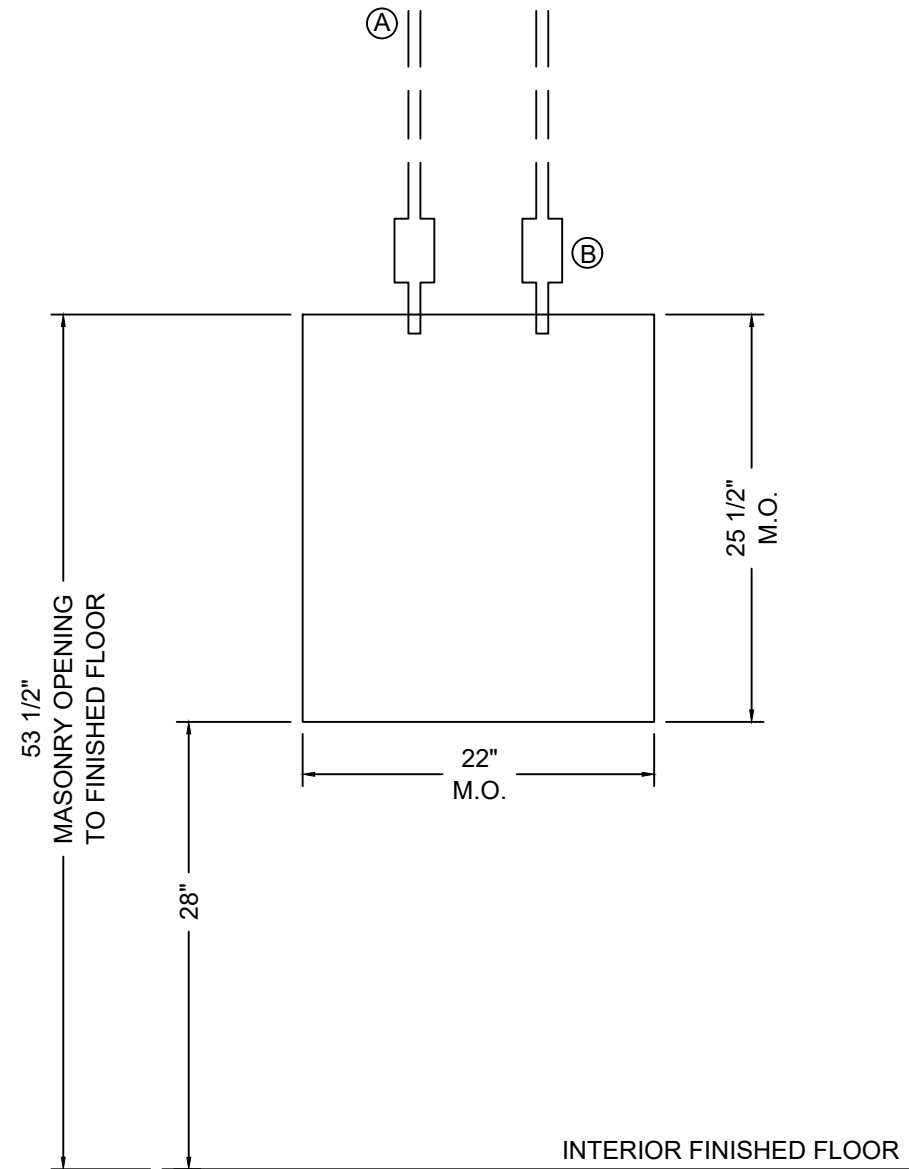


DRAWING TITLE		VARIATION	
28D DEPOSITORY INTERNAL DEPOSITORY ASSEMBLY		SAFE DOOR SWING ORIENTATION: LEFT HAND	SIDEWALK/INTERIOR FLOOR HEIGHT DIFFERENCE: 0"
		SAFE DOOR LOCATION: FRONT SIDE	SAFE RATING: -
CLIENT	DRAWN BY	DATE	DWG. NO. 28D-F_0_12
PROJECT	APPROVED BY	DATE	SCALE 3/4" = 1' 0" SHEET 2 OF 3

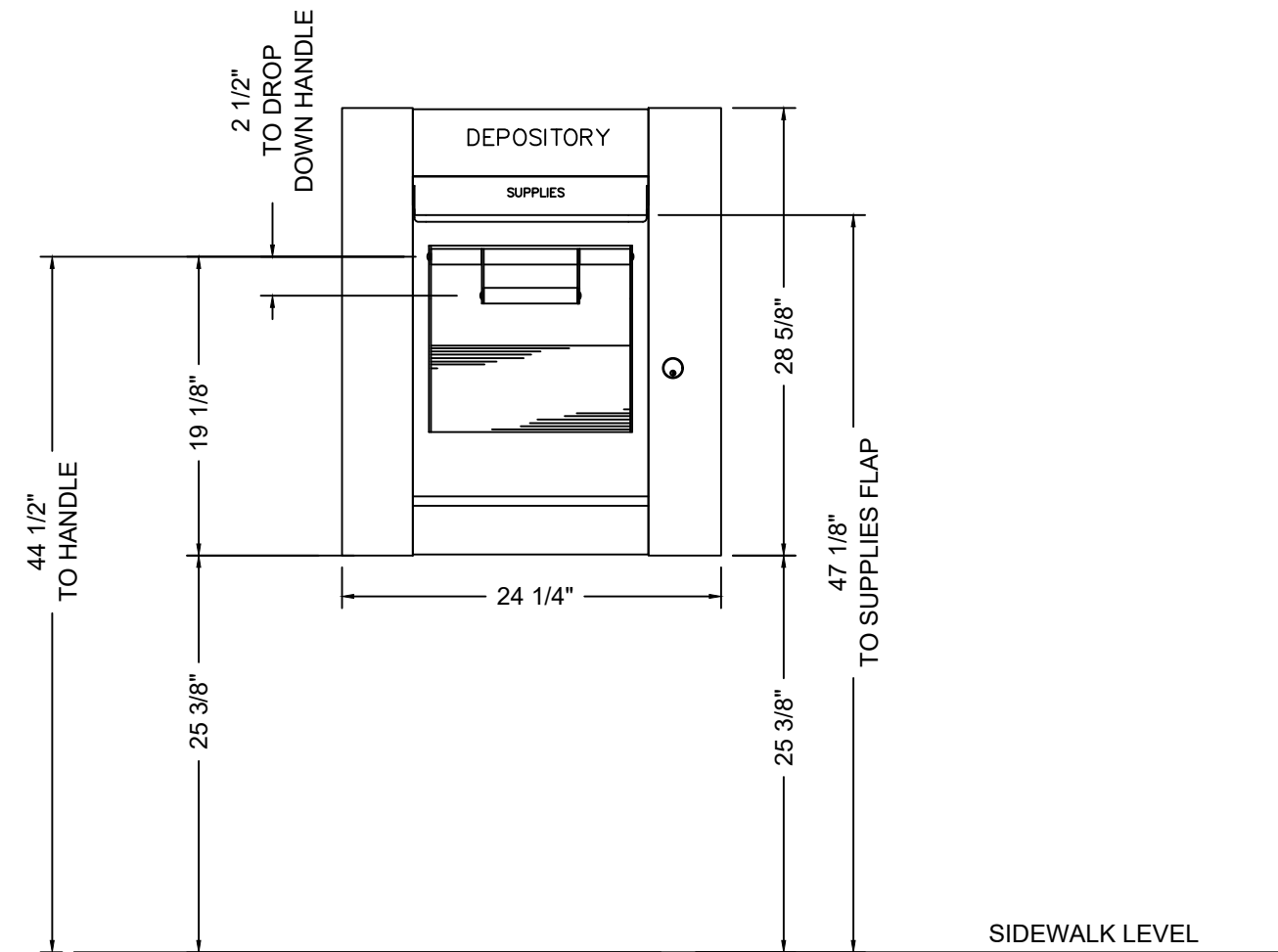
TOLERANCES

INTERIOR DEPOSITORY LIGHT COMPONENTS

- A. (2) 3/4" CONDUITS FOR ALARM, CCTV, AND ELECTRICAL. STUB IN TO ROUGH OPENING AND TO ACCESSIBLE CEILING WITH BRUSHED END (BY ELECTRICAL CONTRACTOR)
- B. (2) SINGLE J BOX



WALL OPENING
INTERIOR ELEVATION



EXTERIOR ELEVATION

NOTES

1. ELECTRICAL CONTRACTOR SHALL PROVIDE:
 - (2) SINGLE J-BOXES FOR THE FOLLOWING
 - (1) 110VAC FOR FLOURESCENT LIGHT
 - (1) ALARM J-BOX FOR THERMAL & DOOR CONTACT, CCTV FOR OPTIONAL CAMERA
2. DIMENSIONS SUBJECT TO CHANGE WITHOUT NOTICE. CONFIRM WITH FORTIS PRIOR TO ORDERING



DRAWING TITLE 28D DEPOSITORY MASONRY OPENING		VARIATION SAFE DOOR SWING ORIENTATION: - SAFE DOOR LOCATION: -		SIDEWALK/INTERIOR FLOOR HEIGHT DIFFERENCE: 0" SAFE RATING: -	
CLIENT	DRAWN BY	DATE	DWG. NO. 28D-F_0_12		
PROJECT	APPROVED BY	DATE	SCALE 1" = 1' 0"	SHEET 3 OF 3	